

**Ordering Information**

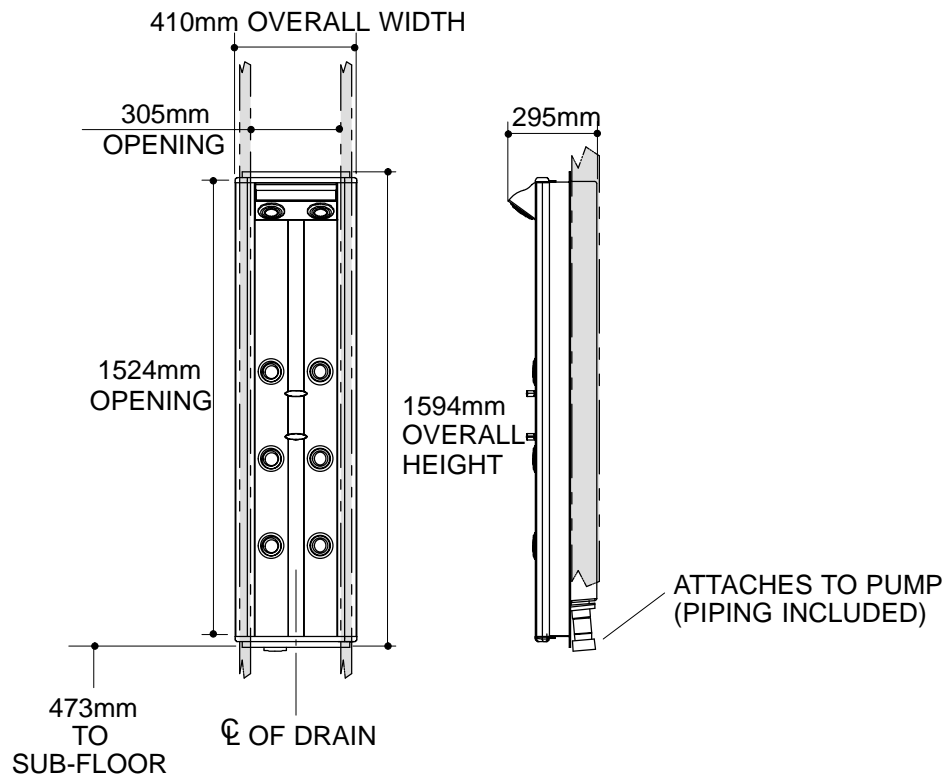
Accessories/hardware:		
Alcove foot bath, LH	K-1035	required
Alcove foot bath, RH	K-1036	
Corner foot bath	K-1025	
Alcove enclosure	K-5161	required
Corner enclosure	K-5162	

**Product Information**

Fixture:	
Weight	17 Kg.

**Installation Notes**

Refer to installation instructions included with fixture before beginning installation.



1.25>132