

Ordering Information

Applicable product:		
Left outlet	K-507	shown
Right outlet	K-508	not shown
Accessories/hardware:		
Tower	K-1040	required
Door enclosure	K-9759	required
Drain	K-7160-TF	recommended
Coralais Rite-Temp	K-1097	recommended
Coralais Two-handle	K-1096	

Requirements Electrical Service

Dedicated circuit required, protected with Class A Ground-Fault Circuit-Interrupter (GFCI):	
Pump/control	120 V., 20 A, 60 Hz

Product Information

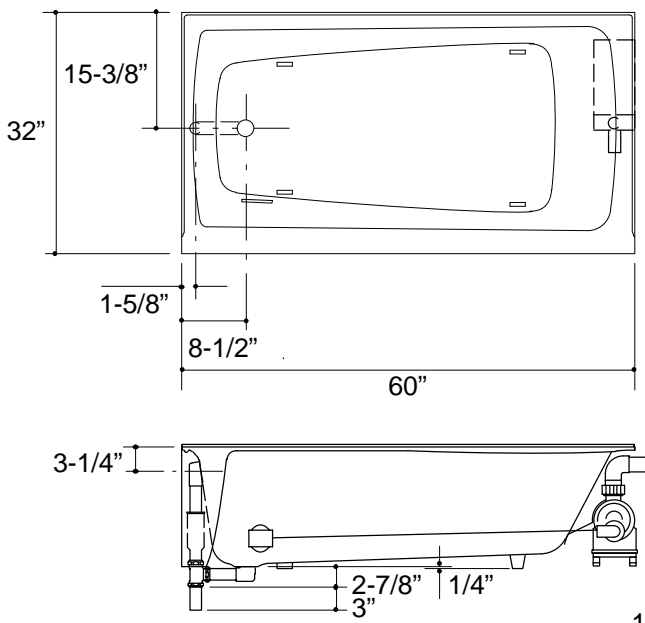
Fixture*:	basin area	top area	weight
Bathing well	43" x 20"	54" x 24"	450 lbs.
	water depth	capacity	
To overflow	10-3/4"	45 gal.**	

* Approximate measurements for comparison only.
** 36 gallon minimum required for BodySpa operation.

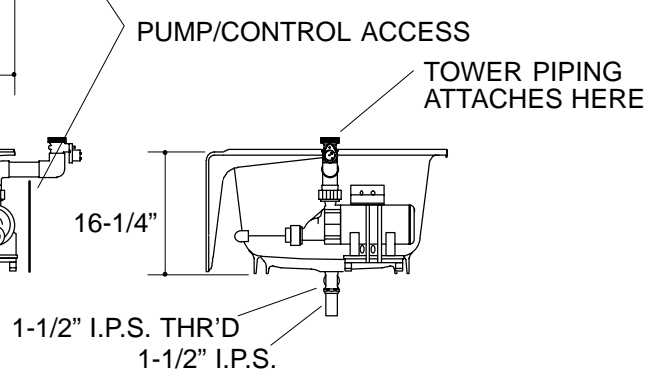
Pump:	HP	V	Hz	A
1-speed	1	120	60	16.5

Installation Notes

Refer to installation instructions included with fixture before beginning installation.
Allow 80-1/4" to 80-3/4" from sub-floor to finished ceiling or header for proper enclosure installation.
Top of unit must be enclosed to retain heat and contain water spray.
Pump is supplied with a grounding type plug-in cord. Locate the outlet behind the whirlpool, and within 24" of the pump.



Roughing-In Notes		
Fixture dimensions are nominal and conform to tolerances in ANSI/ASME Standard A112.19.1.		
No change in measurements if connected with drain illustrated.		
Minimum access panel:		
Pump/control	20" W x 12" H	required



1.25>132