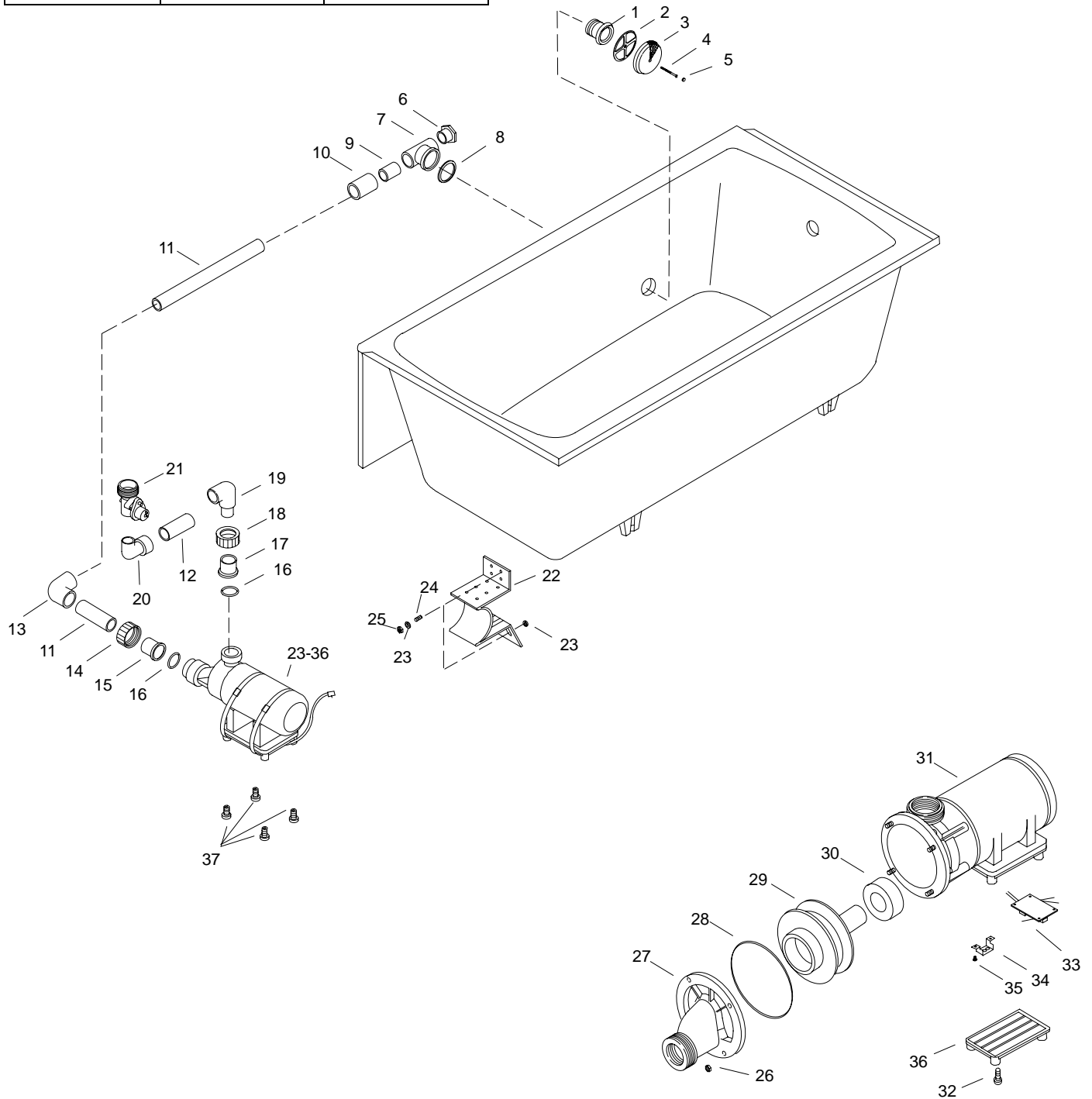


KOHLER® SERVICE PARTS

BODYSPA™ MENDOTA™ BATH

K#	Pump Location	w/Heater
K-507-**-AA	Left	In Pump
K-508-**-AA	Right	In Pump



****Finish/color code must be specified when ordering.**

SERVICE PARTS

ITEM	PART NO.	DESCRIPTION
1	65036**	Flange
2	65355	Spacer
3	67999**	Cover
4	65054**	Screw
5	65226**	Plug
6	73518	Slip Plug
7	93685	Housing
8	60050	Gasket
9		Available in Service Kit Only
10	61249	Coupling
11		Available in Service Kit Only
12		Available in Service Kit Only
13	61213	Elbow
14	60979-A	Slip Nut
15	93709	Connector
16	94821	O-Ring
17	60848	Connector
18	60979	Slip Nut
19	60714	Elbow
20	60559	Elbow
21	94491	Valve Assy
22	93614-A	Bracket
23	67111	Washer
24	67662	Screw
25	90155	Locknut
26	73559	Nut
27	73552	Cover Assy
28	73558	O-Ring
29	73555	Impeller Assy
30	60985	Shaft Seal
31	73534	Motor Assy
32	94812	Screw
33	73580	Circuit Board Assy
34	74705	Barrier
35	21998	Screw
36	73569	Base
37	73515-B	Isolation Mount

SERVICE KITS

PART NO.	ITEM	QTY.	DESCRIPTION
94853			1 1/2" Tube Kit
	9	1 ea.	Tube
		2 ea.	Coupling
94890			1 1/2" Suction Tube Kit
	11	1 ea.	Tube
		1 ea.	Elbow
93839			1 1/4" Tube Kit
	12	1 ea.	Tube
		2 ea.	Coupling
93827			Pump (w/Integral Heater)
	26	4 ea.	Nut
	27	1 ea.	Cover Assy
	28	1 ea.	O-Ring
	29	1 ea.	Impeller Assy
	30	1 ea.	Shaft Seal
	31	1 ea.	Motor Assy
	32	4 ea.	Screw
	33	1 ea.	Circuit Board Assy
	34	1 ea.	Barrier
	35	4 ea.	Screw
	36	1 ea.	Base

**Finish/color code must be specified when ordering.