

Ordering Information

Applicable product:		
Left outlet	K-507	shown
Right outlet	K-508	not shown
Accessories/hardware:		
Tower	K-1040	required
Door enclosure	K-9759	required
Drain	K-7160-TF	recommended
Coralais Rite-Temp	K-1097	recommended
Coralais Two-handle	K-1096	

Required Electrical Service

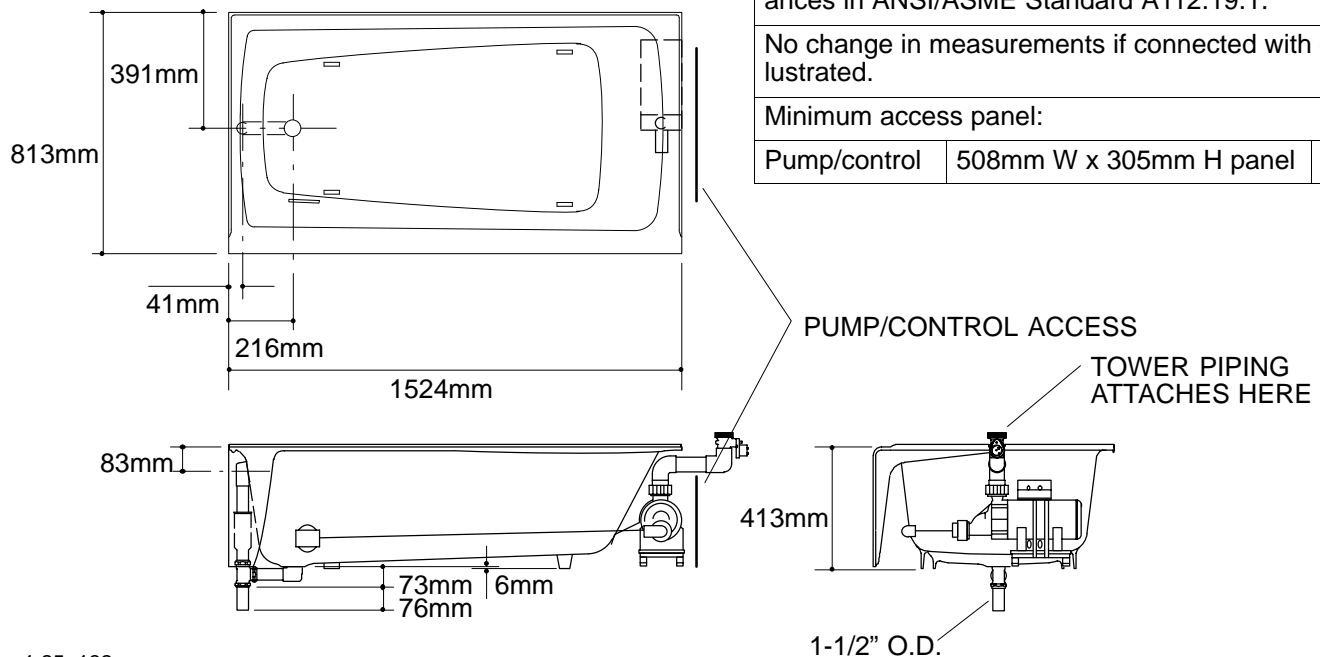
Dedicated circuit required, protected with Class A Ground-Fault Circuit-Interrupter (GFCI):	
Pump/control	120 V., 20 A, 60 Hz

Product Information

Fixture*:	basin area	top area	weight	
Bathing well	1092 x 508mm	1372 x 610mm	204 Kg.	
	water depth	capacity		
To overflow	273mm	170 litres**		
*Approximate measurements for comparison only. **136 litre minimum required for BodySpa operation.				
Pump:	HP	V	Hz	A
1-speed	1	120	60	16.5

Installation Notes

Refer to installation instructions included with fixture before beginning installation.
 Allow 2038mm to 2051mm from sub-floor to finished ceiling or header for proper enclosure installation.
 Top of unit must be enclosed to retain heat and contain water spray.
 Pump is supplied with a grounding type plug-in cord. Locate the outlet behind the bath, and within 610mm of the pump.



Roughing-In Notes		
Fixture dimensions are nominal and conform to tolerances in ANSI/ASME Standard A112.19.1.		
No change in measurements if connected with drain illustrated.		
Minimum access panel:		
Pump/control	508mm W x 305mm H panel	required

1.25>132