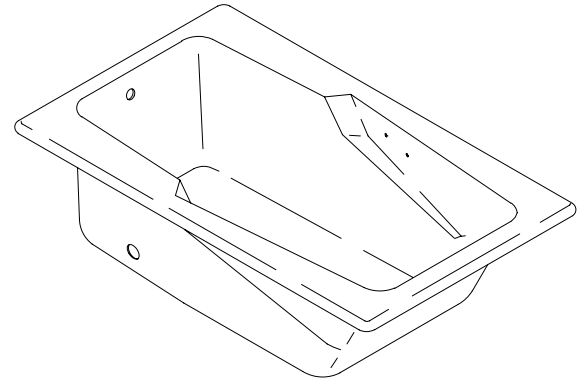


### FEATURES

- 60" x 36" x 20"
- Cast iron
- 1 hp variable flow pump, integral heater and suction housing
- Drilled for K-9623 grip rails (required)
- Recirculating pump delivers flows up to 60 gallons per minute of powerful hydro-massage
- Order one Tower, Bath/Footbath, and Enclosure for each complete BodySpa installation



### CODES/STANDARDS APPLICABLE

Specified model meets or exceeds the following:

- ASME/ANSI A112.19.1M
- ASME/ANSI A112.19.7M
- IAPMO/UPC
- Underwriters Laboratories (UL)

### COLORS/FINISHES

- 0 White
- Other Refer to Fixtures Price Book for additional colors

#### Accessories:

- CP Polished Chrome
- PB Polished Brass
- SV Bright Silver
- BR Bright Brass
- Other Refer to Faucets Price Book for additional finishes

### SPECIFIED MODEL:

Model	Description	Colors/Finishes	
K-799	Bath	<input type="checkbox"/> 0 White	<input type="checkbox"/> Other_____

Required Accessories			
K-1040-CP	BodySpa 6-Jet Tower (Polished Chrome trim) <b>OR</b>	<input type="checkbox"/> 0 White	<input type="checkbox"/> Other_____
K-1040-PB	BodySpa 6-Jet Tower (Polished Brass trim)	<input type="checkbox"/> 0 White	<input type="checkbox"/> Other_____
K-9759-L	Bypass door	<input type="checkbox"/> SH	<input type="checkbox"/> BH
K-9623	Grip rails (pair)	<input type="checkbox"/> CP	<input type="checkbox"/> PB
Recommended Accessories			
K-7161-AF	Drain	<input type="checkbox"/> CP	<input type="checkbox"/> PB
K-1097	Coralais Rite-Temp <b>OR</b>	<input type="checkbox"/> CP	<input type="checkbox"/> PB
K-1096	Coralais Two-handle	<input type="checkbox"/> CP	<input type="checkbox"/> PB

### PRODUCT SPECIFICATION:

The bath shall be 60" in length, 36" in width, and 20" in height. Bath shall be made of cast iron. Bath shall have 1 hp variable flow pump, integral heater, and suction housing. Bath shall be drilled for K-9623 grip rails (required). Bath recirculating pump shall deliver flows up to 60 gallons per minute of powerful hydro-massage. Bath shall be configured with BodySpa 6-Jet Tower, and BodySpa Bypass Door. Bath shall be Kohler Model K-799-\_\_\_\_\_.

# BODYSPA STEEPING BATH™

## REQUIRED ELECTRICAL SERVICE

Dedicated circuit required, protected with Class A Ground-Fault Circuit-Interrupter (GFCI):	
Pump/control	120 V., 20 A, 60 Hz

## PRODUCT INFORMATION

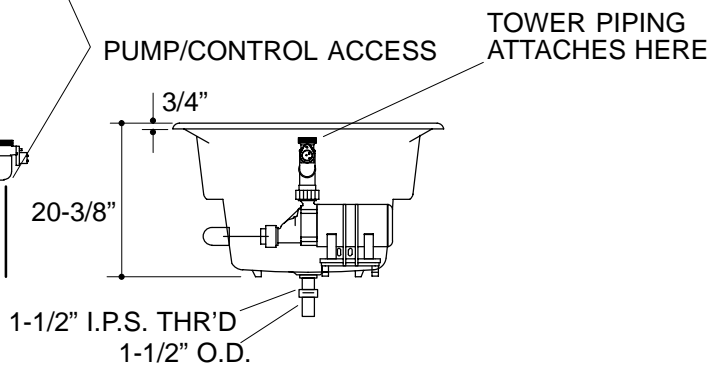
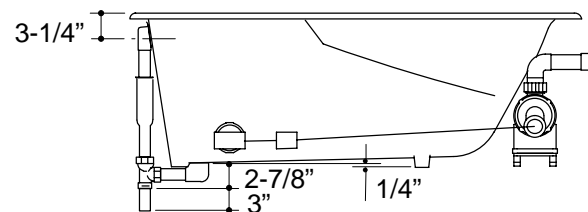
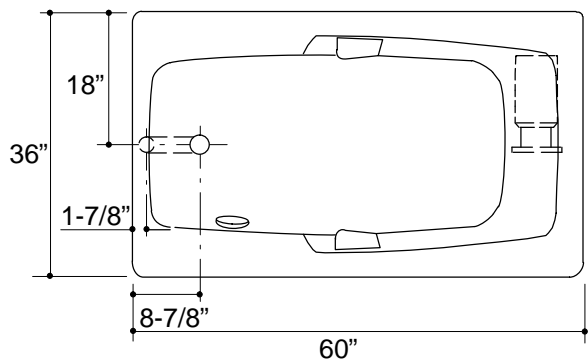
Fixture*:	basin area	top area	weight	
Bathing well	43" x 19"	54" x 30"	410 lbs.	
	water depth	capacity		
To overflow	15"	62 gals.**		
* Approximate measurements for comparison only.				
** 40 gallon minimum required for BodySpa operation.				
Pump:	HP	V	Hz	A
1-speed	1	120	60	16.5

## INSTALLATION NOTES

Allow 84-3/8" to 84-7/8" from sub-floor to finished ceiling or header for proper enclosure installation.

Top of unit must be enclosed to retain heat and contain water spray.

Pump is supplied with a grounding type plug-in cord. Locate the outlet behind the whirlpool, and within 24" of the pump.



Roughing-In Notes		
No change in measurements if connected with drain illustrated.		
Cut-out	58-1/2" x 34-1/2"	
Minimum access:		
Pump/control	20" W x 12" H	required

## PRODUCT DIAGRAM

1.25>132