

Ordering Information

Accessories/hardware:		
Tower	K-1040	required
Door enclosure	K-9759	required
Drain	K-7169-AF	required
Coralais Rite-Temp	K-1097	recommended
Coralais Two-handle	K-1096	

Requirements Electrical Service

Dedicated circuit required, protected with Class A Ground-Fault Circuit-Interrupter (GFCI):	
Pump/control, heater	120 V., 20 A, 60 Hz

Product Information

Fixture*:	basin area	top area	weight
Bathing well	41" x 20"	55" x 25"	280 lbs.
	water depth	capacity	
To overflow	13-5/8"	60 gal.**	

* Approximate measurements for comparison only.
** 45 gallon minimum required for BodySpa operation.

Pump:	HP	V	Hz	A
1-speed	1	120	60	16.5

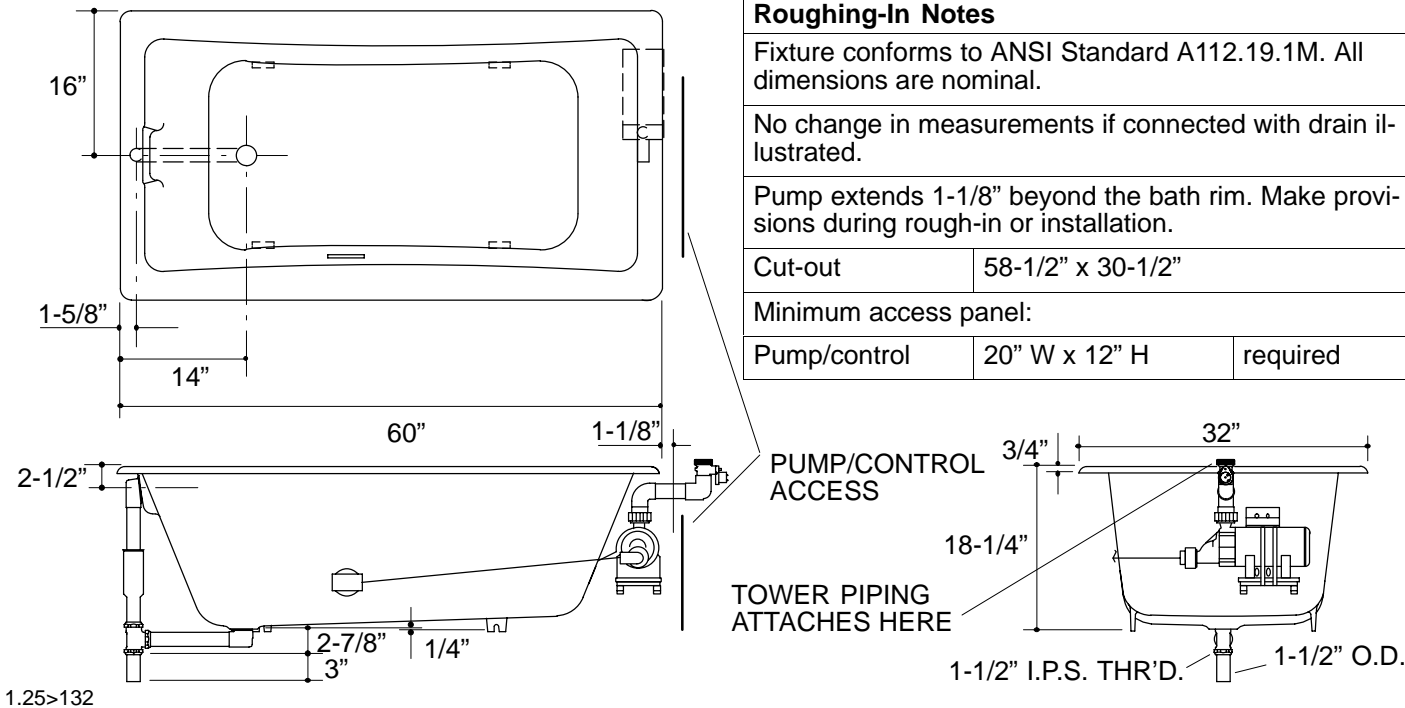
Installation Notes

Refer to installation instructions included with fixture before beginning installation.

Allow 82-1/4" to 82-3/4" from sub-floor to finished ceiling or header for proper enclosure installation.

Top of unit must be enclosed to retain heat and contain water spray.

Pump is supplied with a grounding type plug-in cord. Locate the outlet behind the whirlpool, and within 24" of the pump.



1.25>132

Roughing-In Notes		
Fixture conforms to ANSI Standard A112.19.1M. All dimensions are nominal.		
No change in measurements if connected with drain illustrated.		
Pump extends 1-1/8" beyond the bath rim. Make provisions during rough-in or installation.		
Cut-out	58-1/2" x 30-1/2"	
Minimum access panel:		
Pump/control	20" W x 12" H	required