

Ordering Information

| Accessories/hardware: | | |
|--|-----------|-------------|
| Jet trim kit | K-9696 | required |
| Drain | K-7161-AF | recommended |
| Vinyl tiling-in bead | K-1179 | optional |
| *Use K-1179 vinyl bead when wall material contacts any top surface of bath | | |

Required Electrical Service

| | |
|---|---------------------|
| Dedicated circuit required, protected with Class A Ground-Fault Circuit-Interrupter (GFCI): | |
| Pump/control, heater | 120 V., 20 A, 60 Hz |

Product Information

| Fixture*: | basin area | top area | weight | | |
|---|-------------|-----------|----------|----|------|
| Bathing well | 48" x 30" | 62" x 36" | 135 lbs. | | |
| | water depth | capacity | | | |
| To overflow | 15" | 96 gals. | | | |
| * Approximate measurements for comparison only. | | | | | |
| Pump | high HP | low HP | V | Hz | A |
| 2-speed | 1 | 1/8 | 120 | 60 | 16.5 |

Installation Notes

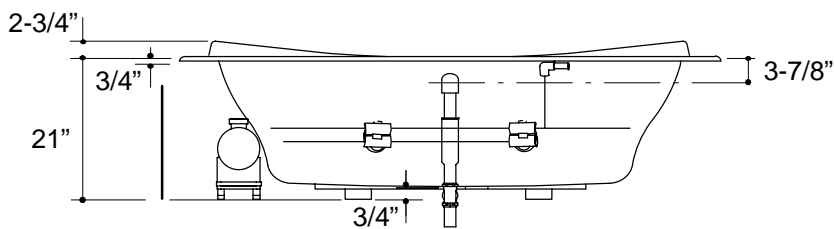
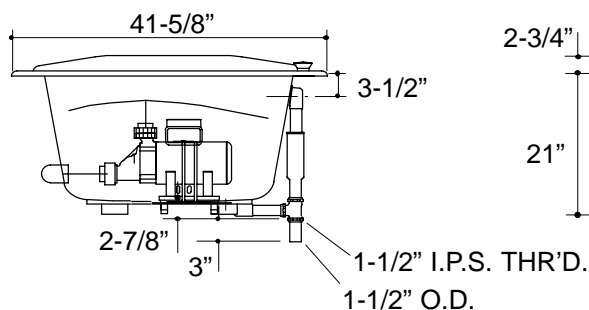
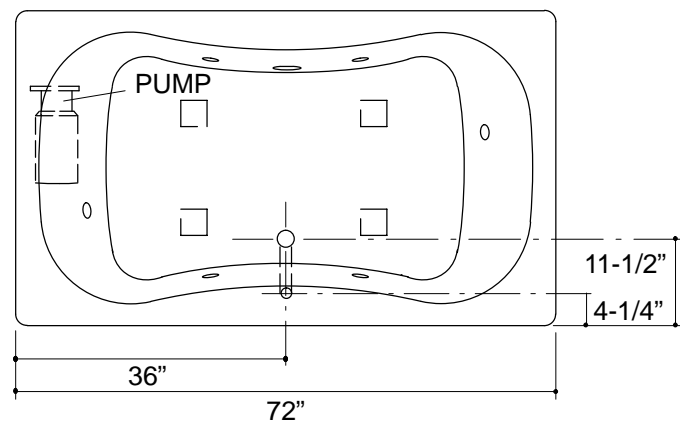
Refer to installation instructions included with fixture before beginning installation.

Each pump is supplied with a grounding type plug-in cord. Locate the outlet behind the whirlpool, and within 24" of the pump.

If installing a rim mount faucet, make sure there is no interference with drain overflow and circulating system before drilling any holes. Consult local and national codes for minimum air gap requirements if installing a spout on the faucet deck.

| Roughing-In Notes | | |
|---|---------------------|----------|
| Fixture dimensions are nominal and conform to tolerances in ANSI Standard Z124.1. | | |
| No change in measurements if connected with drain illustrated. | | |
| Cut-out | 70-1/2" x 40" | |
| Minimum access: | | |
| Pump/control | 20" W x 15" H panel | required |

PUMP/CONTROL ACCESS



1.25>132