

Ordering Information

Applicable product:		
Left outlet	K-1355-H1	not shown
Right outlet	K-1356-H1	shown
Accessories/hardware:		
Jet trim kit	K-9695	required
Drain	K-7167	recommended
Wall-mount grab bars, anti-scald faucet, and high-flow bath filler recommended for maximum accessibility.		

Required Electrical Service

Dedicated circuits required, protected with Class A Ground-Fault Circuit-Interrupter (GFCI):	
Pump/compressor	120 V., 20 A, 60 Hz

Product Information

Fixture*:	basin area	top area	weight
Bathing well	43" x 19-1/2"	52" x 24-1/2"	188 lbs.
	water depth	capacity	
To overflow	19-1/4"	80 gals.	
* Approximate measurements for comparison only.			

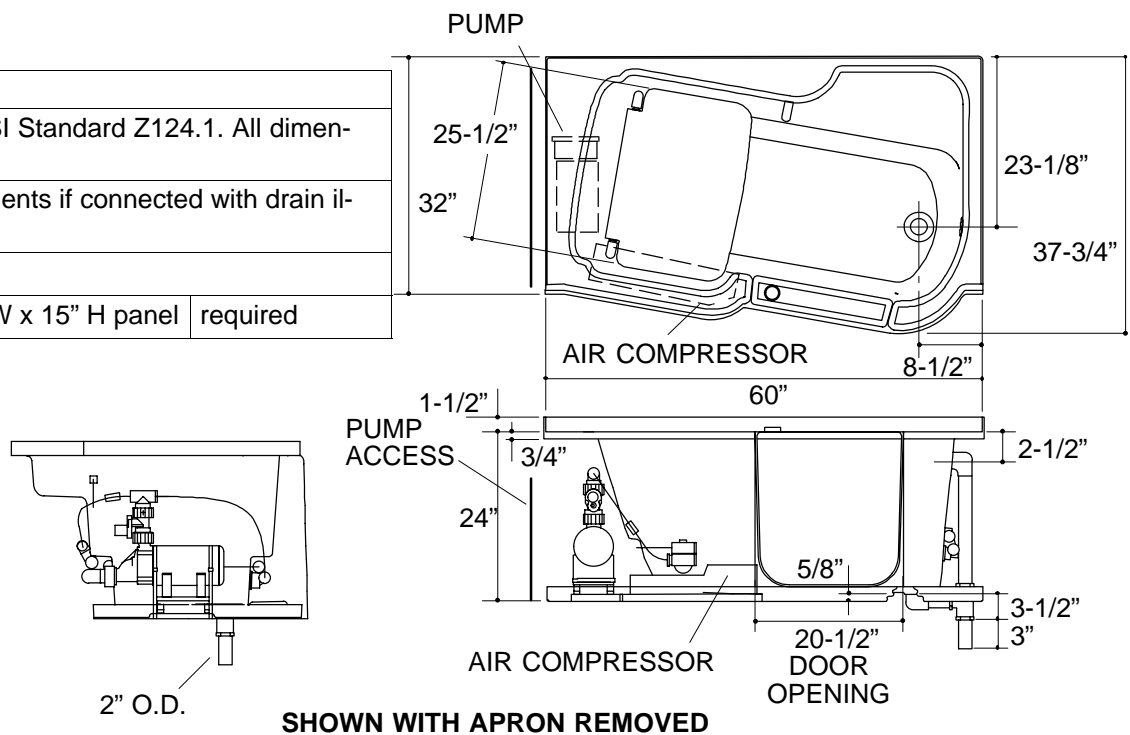
Pump:	HP	V	Hz	A
1-speed	2	120	60	18.5

Included Components:	
Apron	factory installed

Installation Notes

Refer to installation instructions included with fixture before beginning installation.
 Finished floor thickness 1/2" max. above bottom of support base pan. For thicker flooring, provide additional subflooring under bath.
 Each pump is supplied with a grounding type plug-in cord. Locate the outlet behind the whirlpool, and within 24" of the pump.

Roughing-In Notes		
Fixture conforms to ANSI Standard Z124.1. All dimensions are nominal.		
No change in measurements if connected with drain illustrated.		
Minimum access:		
Pump/control	30" W x 15" H panel	required



1.25>132

2" O.D.

SHOWN WITH APRON REMOVED