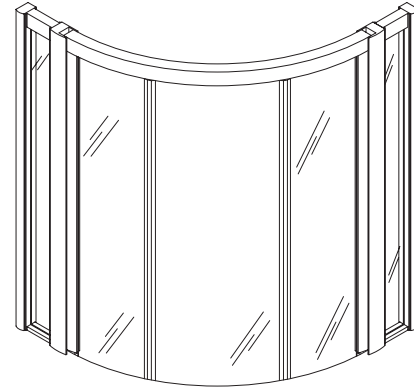


FEATURES

- With crystal clear glass panels
- Order one Tower, Bath/Footbath, and Enclosure for each complete BodySpa installation



CODES/STANDARDS APPLICABLE

Specified model meets or exceeds the following:

- Tempered glass complies with ANSI Z97.1

COLORS/FINISHES

- SS Satin Silver
- SB Satin Brass
- 0 White

Accessories:

- 0 White
- Other Refer to Fixtures Price Book for additional colors
- CP Polished Chrome
- PB Polished Brass

SPECIFIED MODEL:

Model	Description	Colors/Finishes		
K-5162-L	Corner enclosure	<input type="checkbox"/> SS	<input type="checkbox"/> SB	<input type="checkbox"/> 0 White
Required Accessories				
K-1000	10-Jet Tower OR	<input type="checkbox"/> CP	<input type="checkbox"/> PB	<input type="checkbox"/> Other_____
K-1030	8-Jet Tower	<input type="checkbox"/> CP	<input type="checkbox"/> PB	<input type="checkbox"/> Other_____
K-1005	Corner footbath (for 10-jet tower) OR	<input type="checkbox"/> 0 White		<input type="checkbox"/> Other_____
K-1025	Corner footbath (for 8-jet tower)	<input type="checkbox"/> 0 White		<input type="checkbox"/> Other_____

PRODUCT SPECIFICATION:

The corner enclosure shall have crystal clear glass panels. Enclosure shall be configured with BodySpa 10- or 8-Jet Tower, and BodySpa Footbath. Enclosure shall be Kohler Model K-5162-L-_____.

BODYSPA

PRODUCT INFORMATION

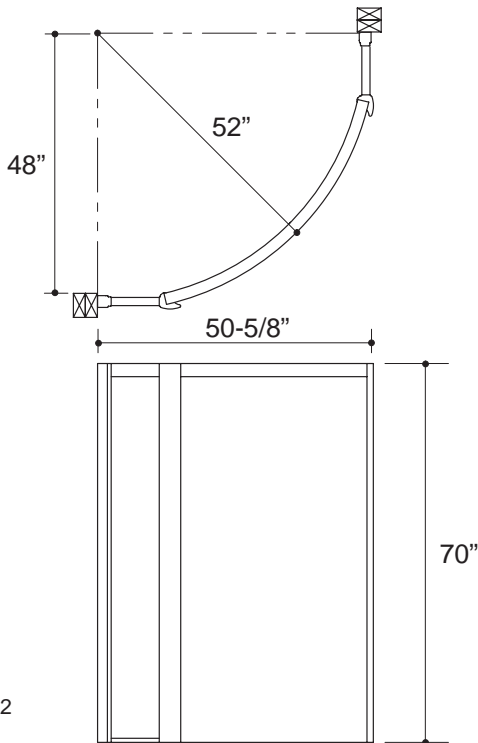
Fixture:	
Weight	200 lbs.
Glass, tempered safety	clear

INSTALLATION NOTES

Allow 83-1/2" to 84" from sub-floor to finished ceiling or header for proper enclosure installation.

Top of unit must be enclosed to retain heat and contain water spray.

The BodySpa is not designed for steam applications, and may not perform satisfactorily as a steam unit.



Roughing-In Notes

Leave studs exposed. Shower enclosure wall jambs must be installed directly to studs.

PRODUCT DIAGRAM