

**Ordering Information**

Accessories/hardware:		
Alcove receptor, RH	K-1016	required
Alcove receptor, LH	K-1015	
Alcove receptor, RH	K-1036	
Alcove receptor, LH	K-1035	
Alcove receptor, RH	K-1046	
Alcove receptor, LH	K-1045	

**Product Information**

Fixture:	
Weight	68 Kg.
Glass, tempered safety	clear

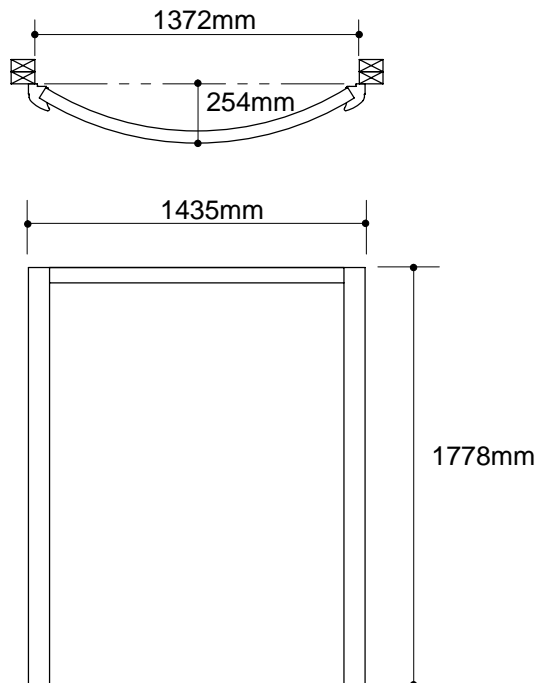
**Installation Notes**

Refer to installation instructions included with fixture before beginning installation.

Allow 2121mm to 2134mm from sub-floor to finished ceiling or header for proper enclosure installation.

Top of unit must be enclosed to retain heat and contain water spray.

The BodySpa is not designed for steam applications, and may not perform satisfactorily as a steam unit.



**Roughing-In Notes**

Glass conforms to ANSI Z97.1.

**Leave studs exposed.** Shower enclosure wall jambs must be installed directly to studs.