

Ordering Information

Applicable product:		
Left hand drain	K-1301-H	shown
Right hand drain	K-1302-H	not shown
Accessories/hardware:		
Jet trim kit	K-9695	required
Drain	K-7161-AF	recommended

Required Electrical Service

Dedicated circuit required, protected with Class A Ground-Fault Circuit-Interrupter (GFCI):	
Pump/control	120 V., 20 A, 60 Hz

Product Information

Fixture*:	basin area	top area	weight
Bathing well	46" x 21"	53" x 26"	126 lbs.
	water depth	capacity	
To overflow	14-1/2"	59 gal.	

* Approximate measurements for comparison only.

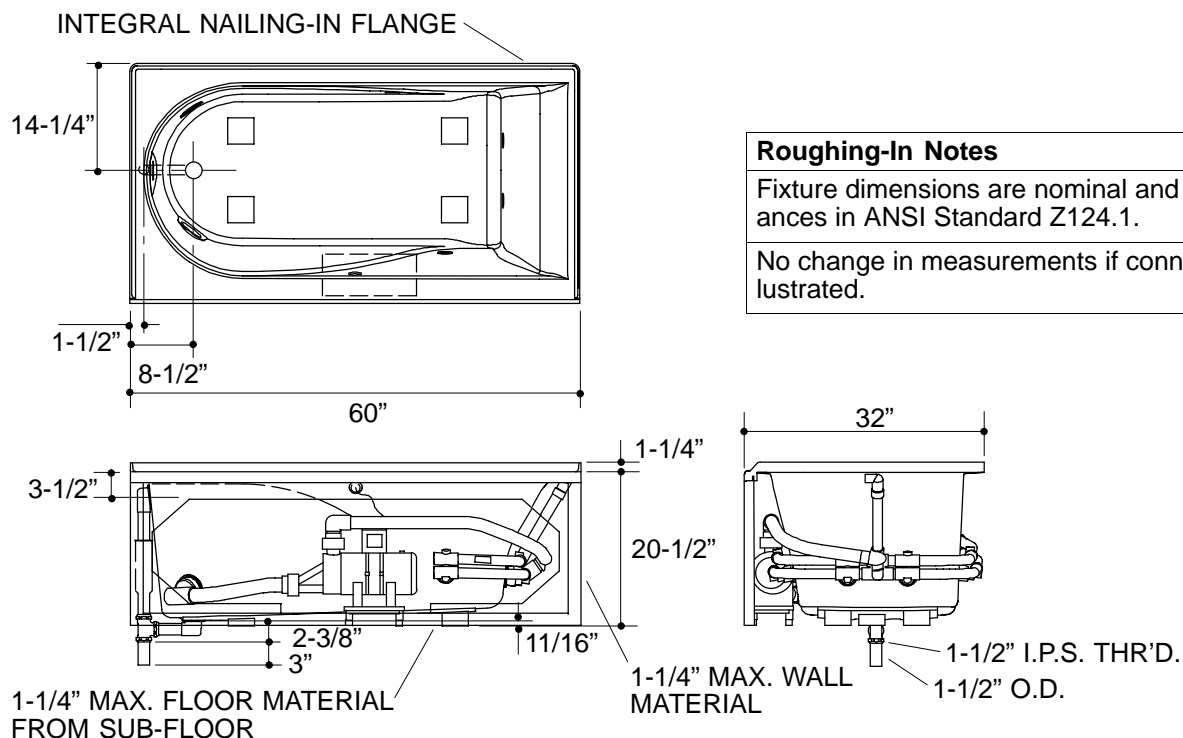
Pump	high HP	low HP	V	Hz	A
2-speed	1	1/8	120	60	16.5

Included Components:	
Removable apron	factory installed

Installation Notes

Refer to installation instructions included with fixture before beginning installation.

Pump is supplied with a grounding type plug-in cord. Locate the outlet behind the whirlpool, and within 24" of the pump.



Roughing-In Notes

Fixture dimensions are nominal and conform to tolerances in ANSI Standard Z124.1.

No change in measurements if connected with drain illustrated.

SHOWN WITH APRON REMOVED

1.25>132