

## Ordering Information

Applicable product:		
With neck jets	K-772-N	shown
Without neck jets	K-772-H1	not shown
Accessories/hardware:		
Jet trim kit	K-9696	required
Drain	K-7161-AF	recommended
Undermount installation kit	K-583	optional
Vinyl tiling-in bead*	K-1179	optional
*Use K-1179 vinyl bead when wall material contacts any top surface of bath.		

## Required Electrical Service

Dedicated circuit required, protected with Class A Ground-Fault Circuit-Interrupter (GFCI):	
Pump/control	120 V., 20 A, 60 Hz

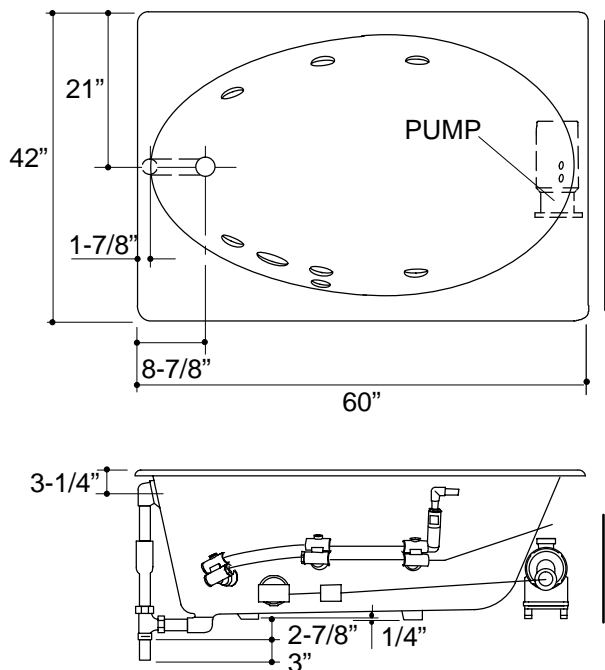
## Product Information

Fixture*:	basin area	top area	weight	
Bathing well	42" x 26"	54" x 32"	450 lbs.	
	water depth	capacity		
To overflow	15"	70 gals.		
* Approximate measurements for comparison only.				
Pump:	HP	V	Hz	A
1-speed	2	120	60	18.5

## Installation Notes

Refer to installation instructions included with fixture before beginning installation.

Each pump is supplied with a grounding type plug-in cord. Locate the outlet behind the whirlpool, and within 24" of the pump.



## Roughing-In Notes

Fixture dimensions are nominal and conform to tolerances in ANSI Standard A112.19.1.

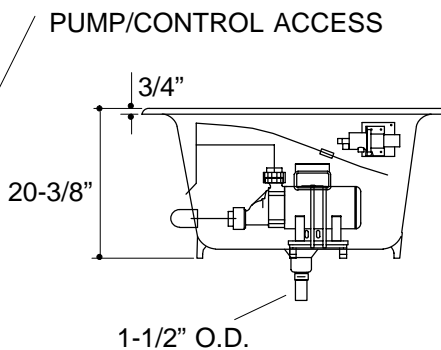
No change in measurements if connected with drain illustrated.

Cut-out for drop-in 58-1/2" x 40-1/2"

Cut-out for undermount K-583 template required

Minimum access:

Pump/control 40" W x 15" H panel required



1.25>132