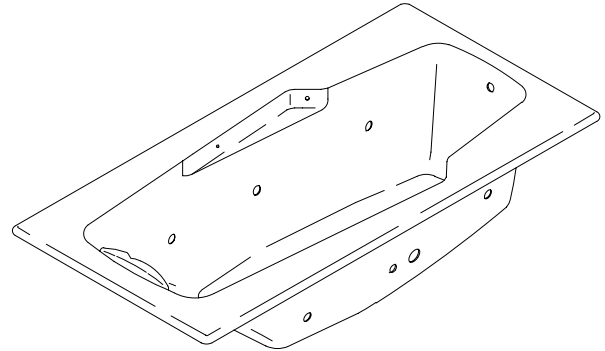


K-812-H1, K-812-N

ADA



FEATURES

- 72" x 36" x 18-1/4"
- Cast iron with Safeguard® finish
- System III - 2 hp variable flow pump with integral heater, electronic switch, and pulsating neckjets with pillow
- 6 Flexjets
- UL Listed
- ADA compliant when installed with seat at head end
- LESS ALL TRIM
- Drilled for K-9616 grip rails (required)
- Pump is supplied with a grounding-type plug in cord

CODES/STANDARDS APPLICABLE

Specified model meets or exceeds the following:

- ADA
- ASME/ANSI A112.19.1M
- ASME/ANSI A112.19.7M
- CABO/ANSI A117.1
- IAPMO/UPC
- Underwriters Laboratories (UL)
- State of Massachusetts
- City of Los Angeles, CA

COLORS/FINISHES

- 0 White
- Other Refer to Fixtures Price Book for additional colors

Accessories:

- CP Polished Chrome
- PB Polished Brass
- Other Refer to Faucets Price Book for additional finishes
- NA None Applicable

SPECIFIED MODEL:

| Model | Description | Colors/Finishes | |
|----------|---|----------------------------------|-------------------------------------|
| K-812-H1 | Bath whirlpool less neckjets and pillow | <input type="checkbox"/> 0 White | <input type="checkbox"/> Other_____ |
| K-812-N | Bath whirlpool with neckjets and pillow | <input type="checkbox"/> 0 White | <input type="checkbox"/> Other_____ |

| Required Accessories | | | | |
|-------------------------|--|-----------------------------|-----------------------------|-------------------------------------|
| K-9696 | Jet trim kit | <input type="checkbox"/> CP | <input type="checkbox"/> PB | <input type="checkbox"/> Other_____ |
| K-9616 | Grip rails (pair) | <input type="checkbox"/> CP | <input type="checkbox"/> PB | <input type="checkbox"/> Other_____ |
| Recommended Accessories | | | | |
| K-7161-AF | Drain | <input type="checkbox"/> CP | <input type="checkbox"/> PB | <input type="checkbox"/> Other_____ |
| Optional Accessories | | | | |
| K-581 | Undermount installation kit (template and installation instructions) | <input type="checkbox"/> NA | | |
| K-1179 | Vinyl tiling-in bead (use when wall material contacts any top surface of bath) | <input type="checkbox"/> NA | | |

PRODUCT SPECIFICATION:

The bath whirlpool shall be 72" in length, 36" in width, and 18-1/4" in height. Bath whirlpool shall be made of cast iron with Safeguard® finish. Bath whirlpool shall have System III, with 6 Flexjets, 2 hp variable flow pump with integral heater, electronic switch and pulsating neckjets with pillow. Bath whirlpool shall be UL listed. Bath whirlpool shall be ADA compliant when installed with seat at head end. Bath whirlpool shall be less all trim. Bath whirlpool shall be drilled for K-9616 grip rails (required). Bath whirlpool pump shall be supplied with a grounding-type plug-in cord. Bath whirlpool shall be Kohler Model K-812-_____-_____.

CARIBBEAN™

REQUIRED ELECTRICAL SERVICE

Dedicated circuit required, protected with Class A Ground-Fault Circuit-Interrupter (GFCI):

| | |
|--------------|---------------------|
| Pump/control | 120 V., 20 A, 60 Hz |
|--------------|---------------------|

PRODUCT INFORMATION

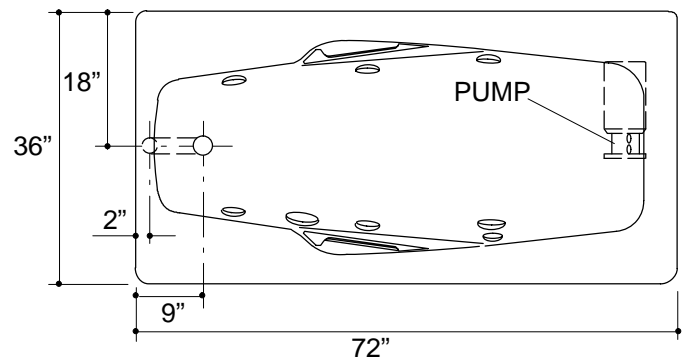
| Fixture*: | basin area | top area | weight |
|--------------|-------------|-----------|----------|
| Bathing well | 47" x 24" | 67" x 29" | 425 lbs. |
| | water depth | capacity | |
| To overflow | 12-7/8" | 52 gals. | |

* Approximate measurements for comparison only.

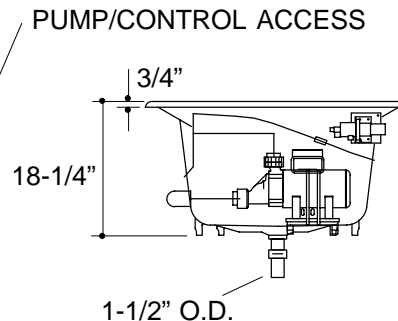
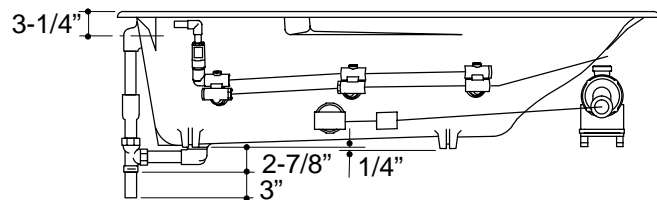
| Pump: | HP | V | Hz | A |
|---------|----|-----|----|------|
| 1-speed | 2 | 120 | 60 | 18.5 |

INSTALLATION NOTES

Each pump is supplied with a grounding type plug-in cord. Locate the outlet behind the whirlpool, and within 24" of the pump.



| Roughing-In Notes | | |
|--|-------------------------|----------|
| No change in measurements if connected with drain illustrated. | | |
| Cut-out for drop-in | 70-1/2" x 34-1/2" | |
| Cut-out for undermount | K-581 template required | |
| Minimum access: | | |
| Pump/control | 34" W x 15" H | required |



1.25>132

PRODUCT DIAGRAM