

Ordering Information

Accessories/hardware:		
Jet trim kit	K-9696	required
Drain	K-7161-AF	recommended
Vinyl tiling-in bead*	K-1179	optional
* Use K-1179 vinyl bead when wall material contacts any top surface of bath.		

Required Electrical Service

Dedicated circuit required, protected with Class A Ground-Fault Circuit-Interrupter (GFCI):	
Pump/control	120 V., 20 A, 60 Hz

Product Information

Fixture*:	basin area	top area	weight
Bathing well	45" x 33"	61" x 42"	134 lbs.
	water depth	capacity	
To overflow	17"	130 gal.	

* Approximate measurements for comparison only.

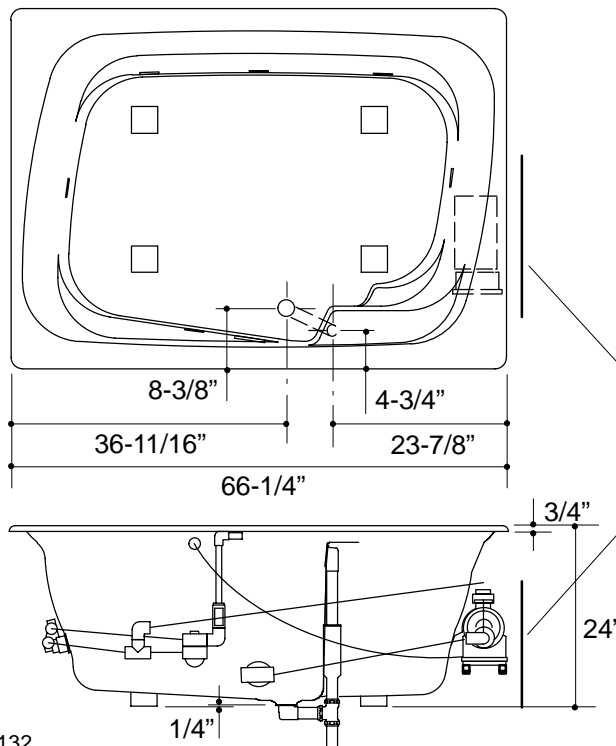
Pump:	high HP	low HP	V	Hz	A
2-speed	1	1/8	120	60	16.5

Installation Notes

Refer to installation instructions included with fixture before beginning installation.

If installing a rim-mount faucet, make sure there is no interference with drain overflow and circulating system before drilling any holes. Consult local and national codes for minimum air gap requirements if installing a spout on the faucet deck.

Each pump is supplied with a grounding type plug-in cord. Locate the outlet behind the whirlpool, and within 24" of the pump.



1.25>132

Roughing-In Notes

Fixture conforms to ANSI Standard Z124.1. All dimensions are nominal.

No change in measurements if connected with drain illustrated.

Cut-out 64-5/8" x 47"

Minimum access:

Pump/control 20" W x 15" H panel required

PUMP/CONTROL ACCESS

