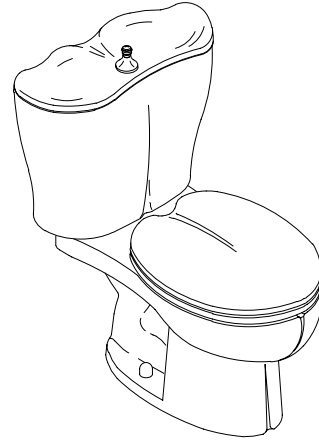


FEATURES

- 12" rough-in
- Vitreous china
- Round front bowl
- Includes seat and cover
- Includes polished chrome lift knob
- Less supply
- 1.6 gpf
- Combination toilet
- Polished brass lift knob and seat trim (-BR)



CODES/STANDARDS APPLICABLE

Specified model meets or exceeds the following:

- ASME/ANSI A112.19.2M
- ASME/ANSI A112.19.6M
- IAPMO/UPC
- Energy Policy Act of 1992 (EPACT)
- States of New York & Texas
- City of Los Angeles, CA

COLORS/FINISHES

- 0 White
- 96 Biscuit

Accessories:

- CP Polished Chrome
- PB Polished Brass
- Other Refer to Price Book for additional colors

SPECIFIED MODEL:

Model	Description	Colors/Finishes		
K-3447	Round front bowl toilet	<input type="checkbox"/> 0 White	<input type="checkbox"/> 96 Biscuit	
K-3447-BR	Round front bowl toilet with polished brass lift knob	<input type="checkbox"/> 0 White	<input type="checkbox"/> 96 Biscuit	
Recommended Accessories				
K-7637	Angle supply with stop	<input type="checkbox"/> CP	<input type="checkbox"/> PB	<input type="checkbox"/> Other_____

PRODUCT SPECIFICATION:

The round-front toilet combination shall be 12" rough-in. Toilet shall be made of vitreous china. Toilet shall include seat and cover. Toilet shall include polished chrome lift knob. Toilet shall be less supply. Toilet shall be 1.6 gpf. Toilet shall have polished brass lift knob and seat trim (-BR). Toilet shall be Kohler Model K-3447-_____.

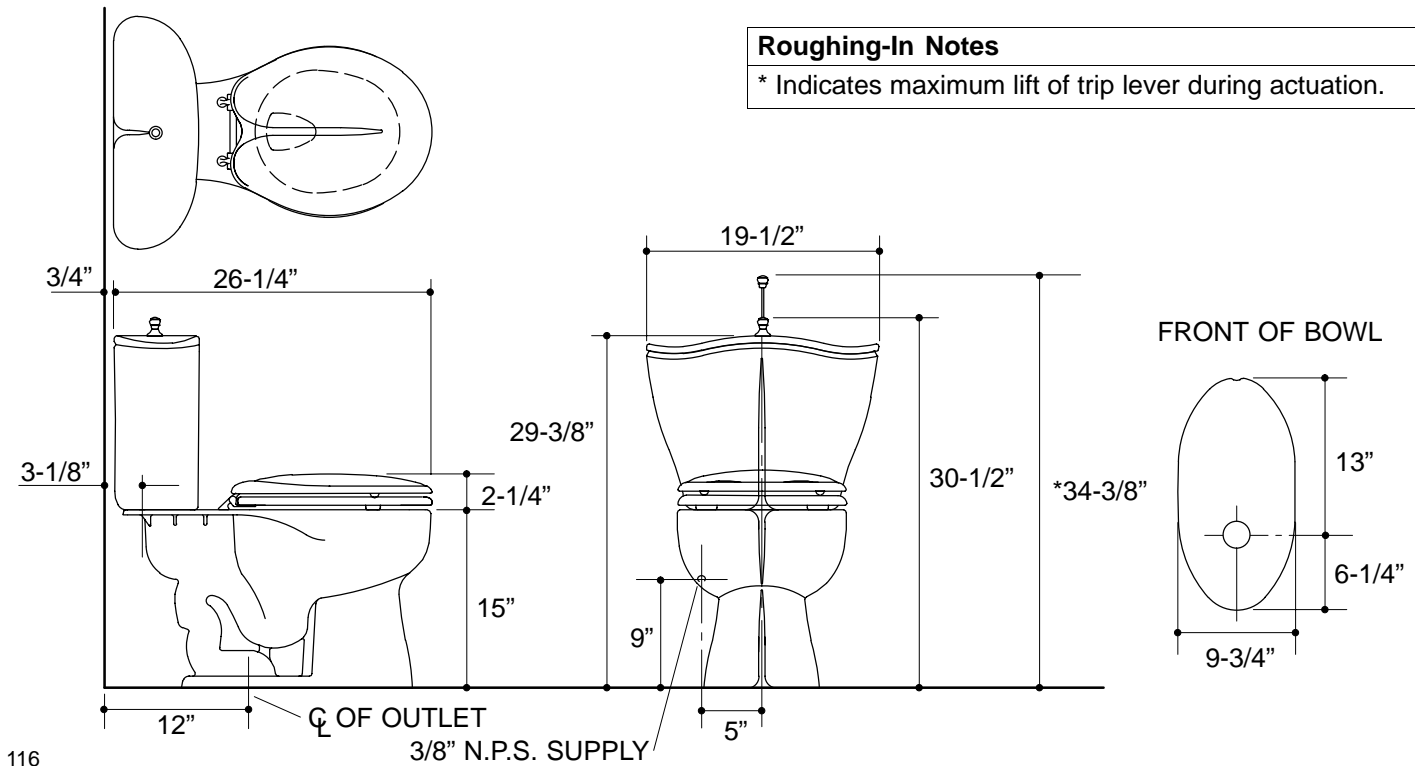
FLEUR

PRODUCT INFORMATION

Fixture:	
Configuration	2-piece, round front
Gallons per flush	1.6 gallons
Passageway	2"
Water depth from rim	6-7/8"
Seat post hole centers	5-1/2"
Included Components:	
Seat	84057
Bowl	K-4267
Tank	K-4606
Tank cover	83702
Bolt cap accessory pack	52048
Tank accessory pack	52153

Roughing-In Notes

* Indicates maximum lift of trip lever during actuation.



PRODUCT DIAGRAM