

Ordering Information

| | | |
|-----------------------|----------|-------------|
| Accessories/hardware: | | |
| Jet trim kit | K-9392 | required |
| Drain | K-7167 | recommended |
| Included Components: | | |
| Cutout template | 114323-7 | |

Required Electrical Service

| | |
|---|--------------------|
| Dedicated circuit required, protected with Class A Ground-Fault Circuit-Interrupter (GFCI): | |
| Pump/control | 120 V, 20 A, 60 Hz |

Product Information

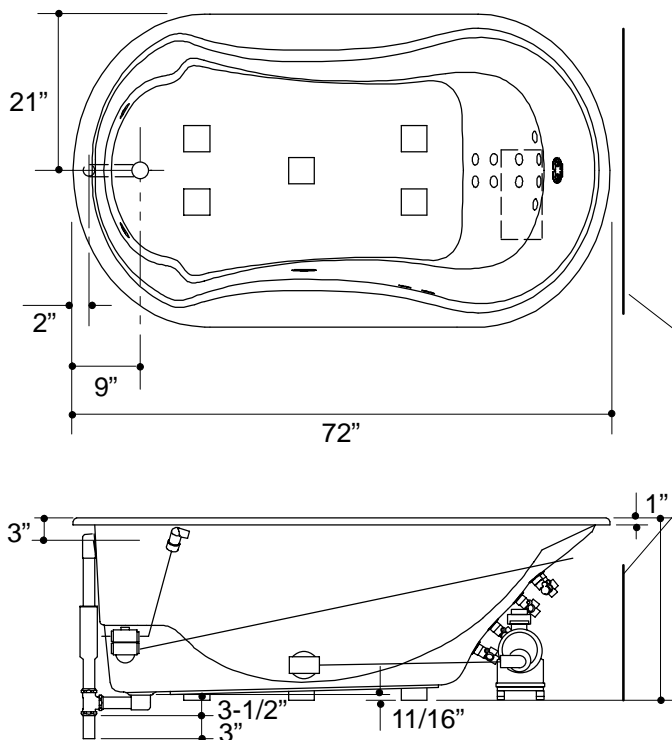
| | | | |
|---|-------------|-----------|----------|
| Fixture*: | basin area | top area | weight |
| Bathing well | 47" x 27" | 64" x 29" | 130 lbs. |
| | water depth | capacity | |
| To overflow | 19-1/2" | 125 gals. | |
| * Approximate measurements for comparison only. | | | |

Installation Notes

Refer to installation instructions included with fixture before beginning installation.

If installing a rim-mount faucet, make sure there is no interference with drain overflow and circulating system before drilling any holes. Consult local and national codes for minimum air gap requirements if installing a spout on the faucet deck.

Each pump is supplied with a grounding type plug-in cord. Locate the outlet behind the whirlpool, and within 24" of the pump.



Roughing-In Notes

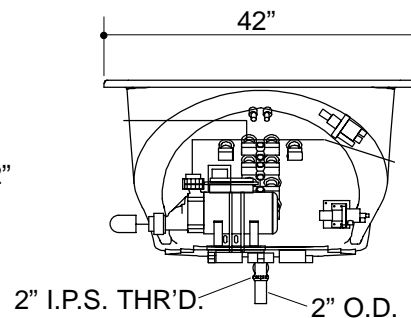
Fixture dimensions are nominal and conform to tolerances in ANSI Standard Z124.1.

No change in measurements if connected with drain illustrated.

Minimum access:

| | | |
|--------------|---------------------|----------|
| Pump/control | 38" W x 18" H panel | required |
|--------------|---------------------|----------|

PUMP/CONTROL ACCESS



1.25>132