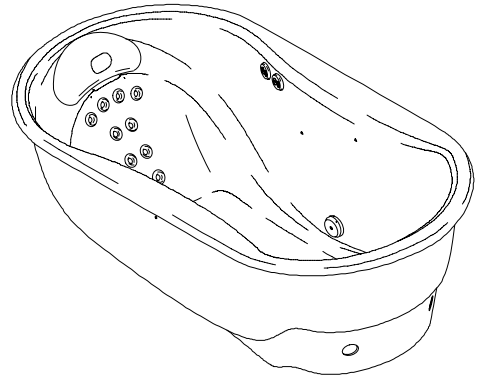


FEATURES

- 72" x 42" x 24-1/2"
- Acrylic
- System III - 2 hp variable flow pump with integral heater, electronic switch, pulsating neckjets with pillow, and 2 Flexjets for foot massage
- Ten color-matched sequencing Bodyssage™ backjets
- UL Listed
- LESS ALL TRIM
- Drilled for K-9605 grip rails
- Pump is supplied with a grounding-type plug in cord



CODES/STANDARDS APPLICABLE

Specified model meets or exceeds the following:

- ANSI Z124.1
- ASME/ANSI A112.19.7M
- IAPMO/UPC
- Underwriters Laboratories (UL)
- State of Massachusetts

COLORS/FINISHES

- 0 White
- Other Refer to Fixtures Price Book for additional colors

Accessories:

- CP Polished Chrome
- PB Polished Brass
- Other Refer to Faucets Price Book for additional finishes

SPECIFIED MODEL:

Model	Description	Colors/Finishes	
K-1348	Whirlpool	<input type="checkbox"/> 0 White	<input type="checkbox"/> Other_____

Required Accessories				
K-9392	Jet trim kit	<input type="checkbox"/> CP	<input type="checkbox"/> PB	<input type="checkbox"/> Other_____
K-9605	Grip rails (pair)	<input type="checkbox"/> CP	<input type="checkbox"/> PB	<input type="checkbox"/> Other_____
Recommended Accessories				
K-7167	Drain	<input type="checkbox"/> CP	<input type="checkbox"/> PB	<input type="checkbox"/> Other_____

PRODUCT SPECIFICATION:

The bath whirlpool shall be 72" in length, 42" in width, and 24-1/2" in height. Bath whirlpool shall be made of acrylic. Bath whirlpool shall have System III, 2 hp variable flow pump with integral heater, electronic switch, pulsating neckjets with pillow, and 2 Flexjets for foot massage. Bath whirlpool shall have 10 color-matched sequencing Bodyssage™ backjets. Bath whirlpool shall be UL listed. Bath whirlpool shall be less all trim. Bath whirlpool shall be drilled for K-9605 grip rails. Bath whirlpool pump shall be supplied with a grounding-type plug-in cord. Bath whirlpool shall be Kohler Model K-1348-_____.

REQUIRED ELECTRICAL SERVICE

Dedicated circuit required, protected with Class A Ground-Fault Circuit-Interrupter (GFCI):	
Pump/control	120 V, 20 A, 60 Hz

PRODUCT INFORMATION

Fixture*:	basin area	top area	weight
Bathing well	47" x 27"	64" x 29"	130 lbs.
	water depth	capacity	
To overflow	19-1/2"	125 gals.	

* Approximate measurements for comparison only.

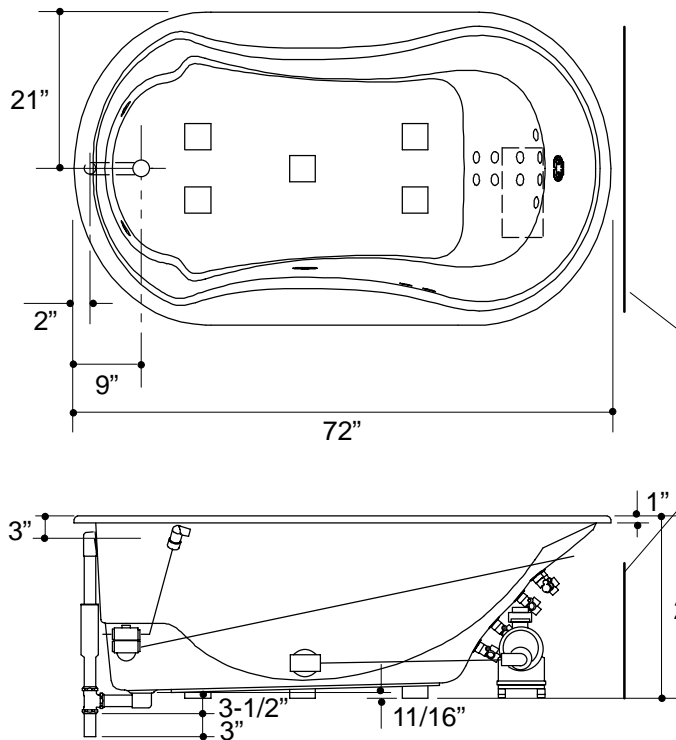
Included Components:				
Cutout template			114323-7	
Pump:	HP	V	Hz	A
1-speed	2	120	60	18.5

INSTALLATION NOTES

If installing a rim-mount faucet, make sure there is no interference with drain overflow and circulating system before drilling any holes. Consult local and national codes for minimum air gap requirements if installing a spout on the faucet deck.

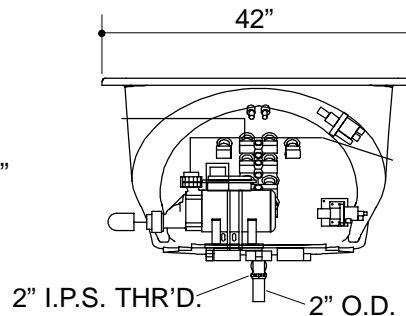
Backjet and neckjet locations are ideally suited to bathers at least 5' 6" tall.

Each pump is supplied with a grounding type plug-in cord. Locate the outlet behind the whirlpool, and within 24" of the pump.



Roughing-In Notes		
No change in measurements if connected with drain illustrated.		
Minimum access:		
Pump/control	38" W x 18" H panel	required

PUMP/CONTROL ACCESS



1.25>132

PRODUCT DIAGRAM