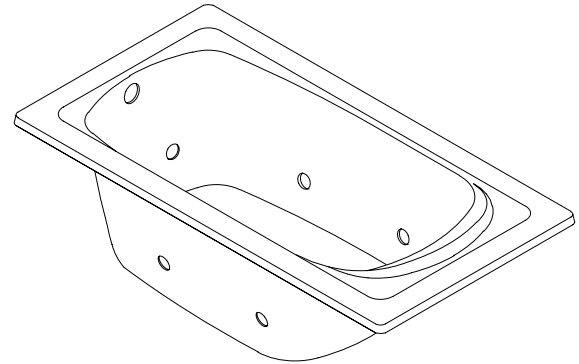


5' BATH WHIRLPOOL

K-1458-H, K-1459-H



FEATURES

- 60" x 32" x 21"
- Acrylic
- Left or right outlet
- System II - 1 hp 2 speed pump with integral heater & electronic switch
- 5 Flexjets
- UL Listed
- LESS ALL TRIM
- Optional K-1444 front apron
- Pump is supplied with a grounding-type plug in cord

CODES/STANDARDS APPLICABLE

Specified model meets or exceeds the following:

- ANSI Z124.1
- ASME/ANSI A112.19.7M
- IAPMO/UPC
- Underwriters Laboratories (UL)
- State of Massachusetts
- Dade County, Florida
- City of Los Angeles, CA

COLORS/FINISHES

- 0 White
- Other Refer to Fixtures Price Book for additional colors

Accessories:

- CP Polished Chrome
- PB Polished Brass
- Other Refer to Faucets Price Book for additional finishes
- NA None Applicable

SPECIFIED MODEL:

| Model | Description | Colors/Finishes | |
|----------|-------------------------------------|----------------------------------|-------------------------------------|
| | | <input type="checkbox"/> 0 White | <input type="checkbox"/> Other_____ |
| K-1458-H | Bath whirlpool with outlet on right | <input type="checkbox"/> 0 White | <input type="checkbox"/> Other_____ |
| K-1459-H | Bath whirlpool with outlet on left | <input type="checkbox"/> 0 White | <input type="checkbox"/> Other_____ |

| Required Accessories | | | | |
|-------------------------|--|----------------------------------|-------------------------------------|-------------------------------------|
| K-9695 | Jet trim kit | <input type="checkbox"/> CP | <input type="checkbox"/> PB | <input type="checkbox"/> Other_____ |
| Recommended Accessories | | | | |
| K-7161-AF | Drain | <input type="checkbox"/> CP | <input type="checkbox"/> PB | <input type="checkbox"/> Other_____ |
| Optional Accessories | | | | |
| K-1444 | Apron (removable) | <input type="checkbox"/> 0 White | <input type="checkbox"/> Other_____ | |
| K-1177 | Vinyl tiling-in bead (use when wall material contacts any top surface of bath) | <input type="checkbox"/> NA | | |

PRODUCT SPECIFICATION:

The bath whirlpool shall be 60" in length, 32" in width, and 21" in height. Bath whirlpool shall be made of acrylic. Bath whirlpool shall have an outlet at left or right. Bath whirlpool shall have System II, with 5 Flexjets, 1 hp 2-speed pump, integral heater, and electronic switch. Bath whirlpool shall be UL Listed. Bath whirlpool shall be less all trim. Bath whirlpool shall have optional K-1444 front apron. Bath whirlpool pump shall be supplied with a grounding-type plug-in cord. Bath whirlpool shall be Kohler Model K-_____-_____-_____.

PORTRAIT™

REQUIRED ELECTRICAL SERVICE

| | |
|---|--------------------|
| Dedicated circuit required, protected with Class A Ground-Fault Circuit-Interrupter (GFCI): | |
| Pump/control, heater | 120 V, 20 A, 60 Hz |

PRODUCT INFORMATION

| Fixture*: | basin area | top area | weight |
|--------------|-------------|-----------|----------|
| Bathing well | 40" x 24" | 49" x 26" | 115 lbs. |
| | water depth | capacity | |
| To overflow | 15-3/4" | 63 gal. | |

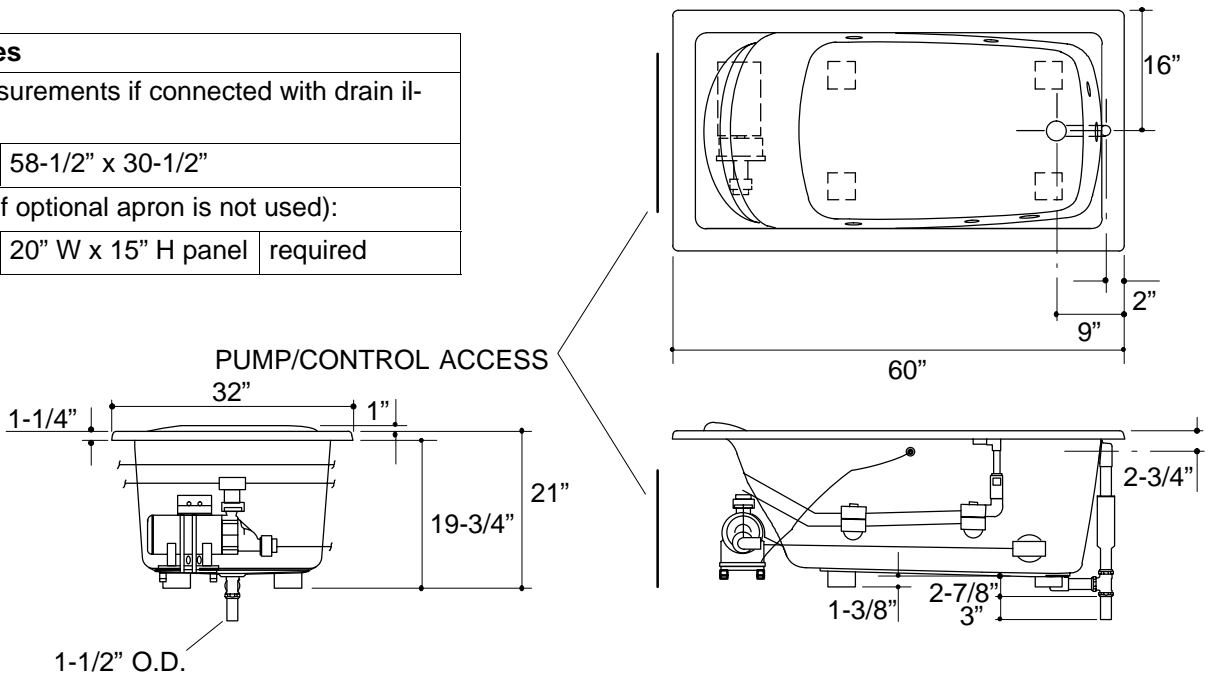
* Approximate measurements for comparison only.

| Pump: | high HP | low HP | V | Hz | A |
|---------|---------|--------|-----|----|------|
| 2-speed | 1 | 1/8 | 120 | 60 | 16.5 |

INSTALLATION NOTES

Each pump is supplied with a grounding type plug-in cord. Locate the outlet behind the whirlpool, and within 24" of the pump.

| Roughing-In Notes | | |
|--|---------------------|----------|
| No change in measurements if connected with drain illustrated. | | |
| Cut-out | 58-1/2" x 30-1/2" | |
| Minimum access (if optional apron is not used): | | |
| Pump/control | 20" W x 15" H panel | required |



1.25>132

1-1/2" O.D.

PRODUCT DIAGRAM