

Ordering Information

Accessories/hardware:		
Jet trim kit	K-9694	required
Drain	K-7163	recommended
Bath apron	K-1495	optional
Vinyl tiling-in bead*	K-1179	optional

*Use K-1179 vinyl bead when wall material contacts any top surface of bath.

Required Electrical Service

Dedicated circuit required, protected with Class A Ground-Fault Circuit-Interrupter (GFCI):	
Pump/control	120 V., 20 A, 60 Hz

Product Information

Fixture*:	basin area	top area	weight
Bathing well	36" x 20-1/2"	42" x 26"	93 lbs.
	water depth	capacity	
To overflow	17-1/2"	68 gals.	

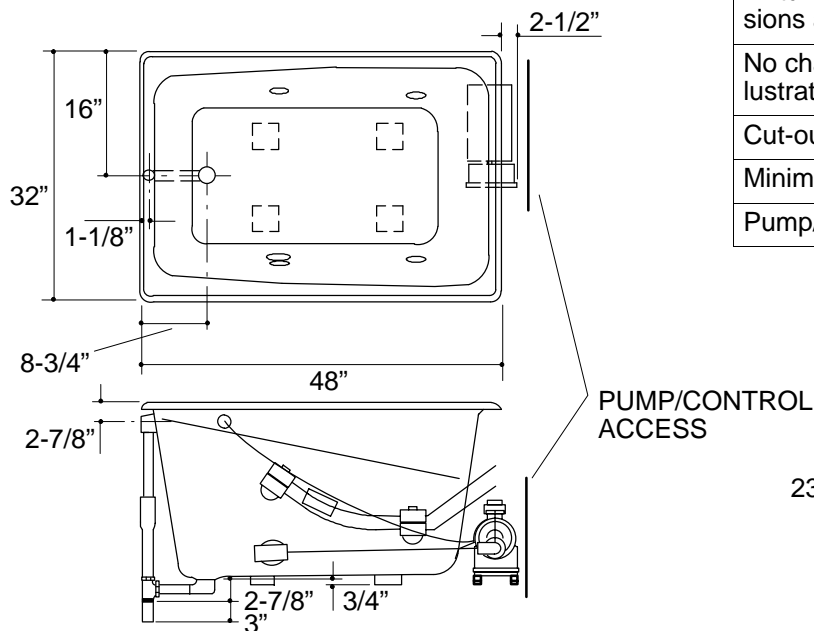
* Approximate measurements for comparison only.

Pump:	high	low	V	Hz	A
2-speed	1 hp	1/8 hp	120	60	16.5

Installation Notes

Refer to installation instructions included with fixture before beginning installation.

Each pump is supplied with a grounding type plug-in cord. Locate the outlet behind the whirlpool, and within 24" of the pump.



Roughing-In Notes

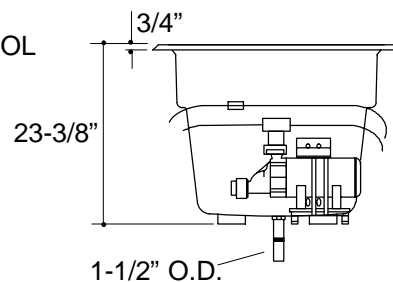
Fixture conforms to ANSI Standard Z124.1. All dimensions are nominal.

No change in measurements if connected with drain illustrated.

Cut-out 46-1/2" x 30-1/2"

Minimum access:

Pump/control 20" W x 15" H panel required



1.25>132