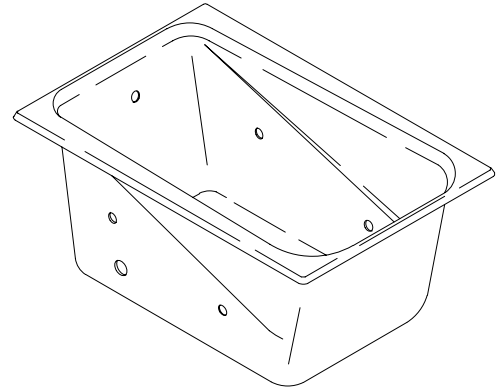


FEATURES

- 48" x 32" x 23-3/8"
- Acrylic
- System II - 1 hp 2 speed pump with integral heater & electronic switch
- 4 Flexjets
- UL Listed
- LESS ALL TRIM
- With *Repose™* vinyl bath pillow
- Optional K-1495 front apron
- Pump is supplied with a grounding-type plug in cord



CODES/STANDARDS APPLICABLE

Specified model meets or exceeds the following:

- ANSI Z124.1
- ASME/ANSI A112.19.7M
- IAPMO/UPC
- Underwriters Laboratories (UL)
- State of Massachusetts
- Dade County, Florida

COLORS/FINISHES

- 0 White
- Other Refer to Fixtures Price Book for additional colors

Accessories:

- CP Polished Chrome
- PB Polished Brass
- Other Refer to Faucets Price Book for additional finishes
- NA None Applicable

SPECIFIED MODEL:

Model	Description	Colors/Finishes		
K-1492-H	Bath whirlpool	<input type="checkbox"/> 0 White	<input type="checkbox"/> Other_____	
Required Accessories				
K-9694	Jet trim kit	<input type="checkbox"/> CP	<input type="checkbox"/> PB	<input type="checkbox"/> Other_____
Recommended Accessories				
K-7163	Drain	<input type="checkbox"/> CP	<input type="checkbox"/> PB	<input type="checkbox"/> Other_____
Optional Accessories				
K-1495	Apron (non-removable)	<input type="checkbox"/> 0 White	<input type="checkbox"/> Other_____	
K-1179	Vinyl tiling-in bead (use when wall material contacts any top surface of bath)	<input type="checkbox"/> NA		

PRODUCT SPECIFICATION:

The bath whirlpool shall be 48" in length, 32" in width, and 23-3/8" in height. Bath whirlpool shall be made of acrylic. Bath whirlpool shall have System II, with 4 flexjets, 1 hp 2 speed pump with integral heater & electronic switch. Bath whirlpool shall be UL listed. Bath whirlpool shall include *Repose™* vinyl bath pillow. Bath whirlpool shall have optional K-1495 front apron. Bath whirlpool pump shall be supplied with a grounding-type plug-in cord. Bath whirlpool shall be Kohler Model K-1492-H-_____.

REQUIRED ELECTRICAL SERVICE

Dedicated circuit required, protected with Class A Ground-Fault Circuit-Interrupter (GFCI):	
Pump/control	120 V., 20 A, 60 Hz

PRODUCT INFORMATION

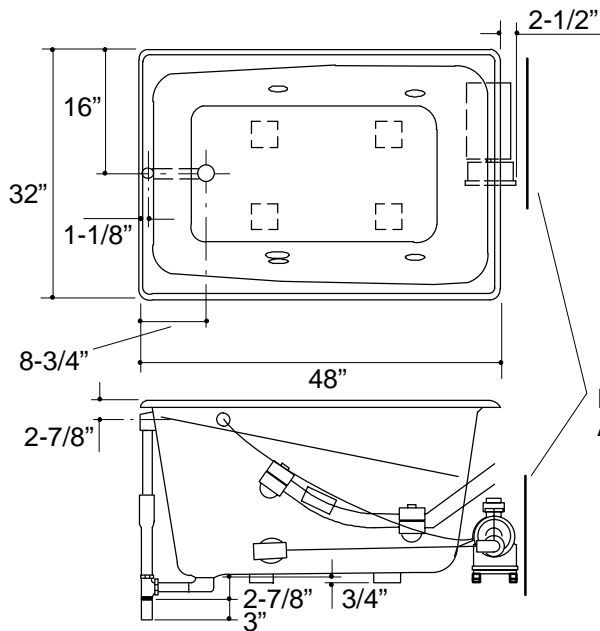
Fixture*:	basin area	top area	weight
Bathing well	36" x 20-1/2"	42" x 26"	93 lbs.
	water depth	capacity	
To overflow	17-1/2"	68 gals.	

* Approximate measurements for comparison only.

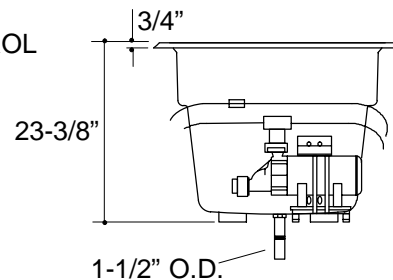
Pump:	high	low	V	Hz	A
2-speed	1 hp	1/8 hp	120	60	16.5

INSTALLATION NOTES

Each pump is supplied with a grounding type plug-in cord. Locate the outlet behind the whirlpool, and within 24" of the pump.



Roughing-In Notes	
No change in measurements if connected with drain illustrated.	
Cut-out	46-1/2" x 30-1/2"
Minimum access:	
Pump/control	20" W x 15" H panel required



1.25>132

PRODUCT DIAGRAM