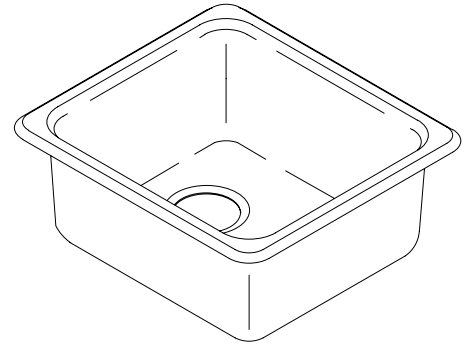


### SELF-RIMMING OR UNDERCOUNTER KITCHEN SINK

# K-6584

#### FEATURES

- 17" x 18-3/4"(self-rimming) or 14" x 15-3/4" (undercounter mount)
- Cast iron
- Acid resistant enamel finish
- Self-rimming or undercounter
- Single compartment



#### CODES/STANDARDS APPLICABLE

Specified model meets or exceeds the following:

- ASME/ANSI A112.19.1M
- IAPMO/UPC
- Canadian Standards Association (CSA)
- State of Massachusetts

#### COLORS/FINISHES

- 0 White
- Other Refer to Fixtures Price Book for additional colors

#### Accessories:

- CP Polished Chrome
- NA None Applicable
- Other Refer to Price Book for additional finishes

#### SPECIFIED MODEL:

Model	Description	Colors/Finishes	
K-6584	Kitchen sink	<input type="checkbox"/> 0 White	<input type="checkbox"/> Other_____

Optional Accessories			
K-3190	Bottom basin rack	<input type="checkbox"/> 0 White	<input type="checkbox"/> Other_____
K-3277	Wire rinse basket	<input type="checkbox"/> 0 White	<input type="checkbox"/> Other_____
K-3294	Hardwood cutting board	<input type="checkbox"/> NA	
K-8801	Duostrainer sink strainer	<input type="checkbox"/> CP	<input type="checkbox"/> Other_____

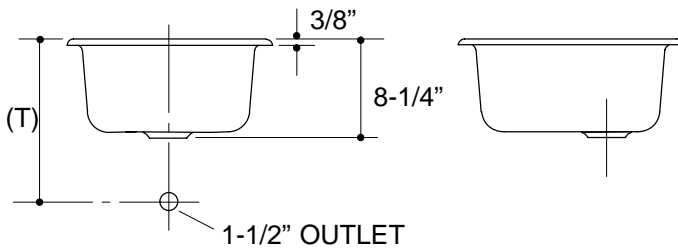
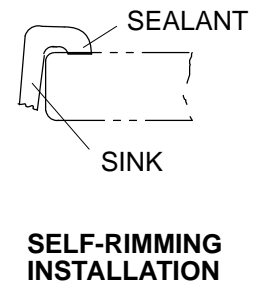
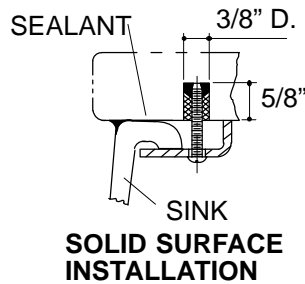
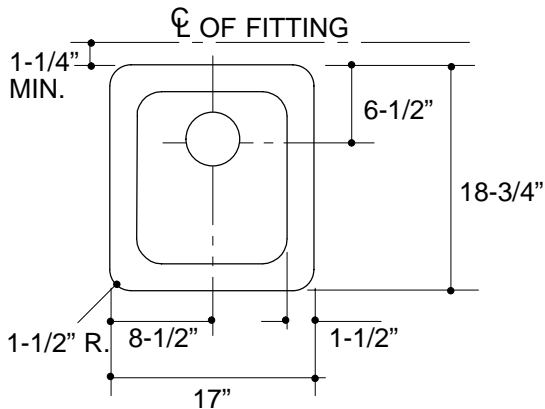
#### PRODUCT SPECIFICATION:

The self-rimming sink shall be 17" in length, and 18-3/4" in width, or the undercounter mount sink shall be 14" in length, and 15-3/4" in width. Sink shall be made of cast iron with acid resistant enamel finish. Sink shall be single compartment. Sink shall be Kohler Model K-6584-\_\_\_\_\_.

# IRON/TONES™

## PRODUCT INFORMATION

Fixture*:		basin area	water depth
Sink		14" x 16"	7-1/2"
Outlet	3-7/8" D.		
* Approximate measurements for comparison only.			
Included Components:			
Basin clamp accessory pack		52047	
Cutout template		114332-7	



### Roughing-In Notes

(T) Drain typically 13-1/2".

Supplied basin clamp assemblies require 1" minimum countertop thickness. Installer must supply hardware for thinner countertops.

For multiple bowl undercounter installations, a minimum distance of 3-3/8" is required between bowls. Countertop supplier to determine required support.

116

## PRODUCT DIAGRAM