

### Ordering Information

Accessories/hardware:		
Hardwood cutting board	K-3294	optional
Wire rinse basket	K-3277	optional
Bottom basin rack	K-3192	optional
Duostrainer sink strainer	K-8801	optional

### Product Information

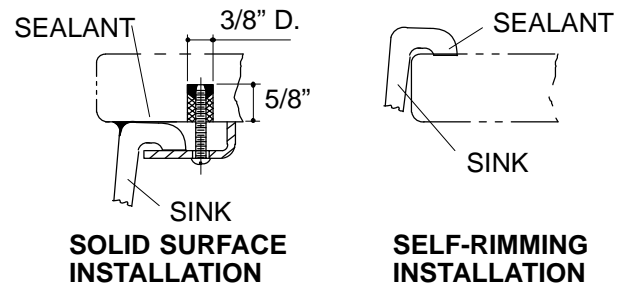
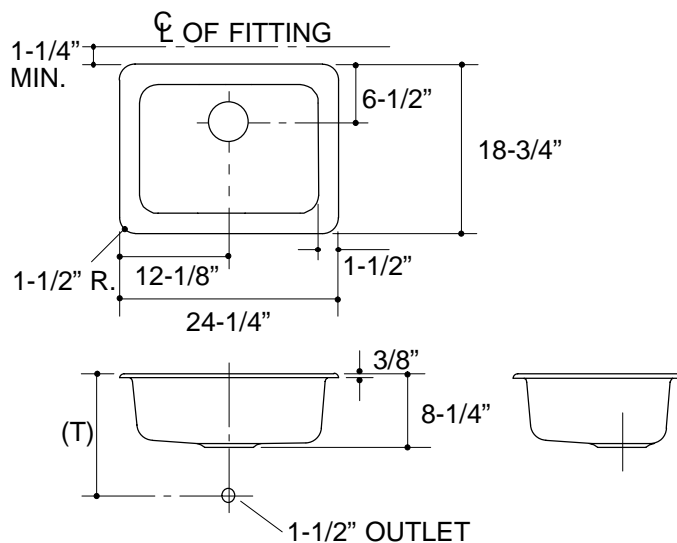
Fixture*:		basin area	water depth
Sink		21" x 16"	7-1/2"
Outlet	3-7/8" D.		

\* Approximate measurements for comparison only.

Included Components:	
Basin clamp accessory pack	52047
Cutout template	114333-7

### Installation Notes

Refer to installation instructions included with fixture before beginning installation.



Roughing-In Notes
Fixture dimensions are nominal and conform to tolerances in ASME/ANSI Standard A112.19.1M.
(T) Drain typically 13-1/2".
Supplied basin clamp assemblies require 1" minimum countertop thickness. Installer must supply hardware for thinner countertops.
For multiple bowl undercounter installations, a minimum distance of 3-3/8" is required between bowls. Countertop supplier to determine required support.