

Product Information

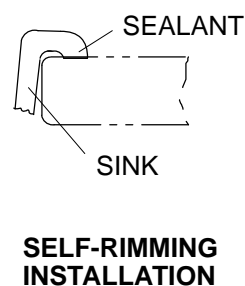
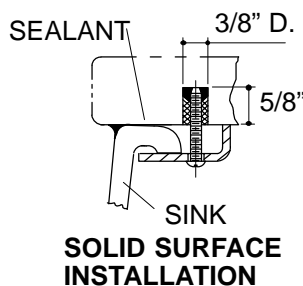
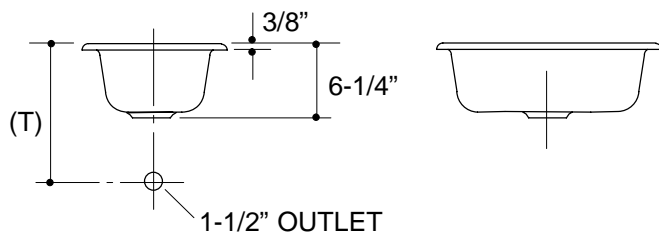
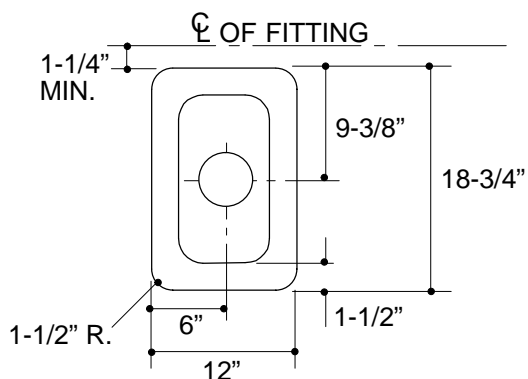
Fixture*:		basin area	water depth
Sink		9" x 16"	5-1/2"
Outlet	3-7/8" D.		

* Approximate measurements for comparison only.

Included Components:	
Basin clamp accessory pack	52047
Cutout template	114334-7

Installation Notes

Refer to installation instructions included with fixture before beginning installation.



Roughing-In Notes

Fixture dimensions are nominal and conform to tolerances in ASME/ANSI Standard A112.19.1M.

(T) Drain typically 11-1/2\".

Supplied basin clamp assemblies require 1\" minimum countertop thickness. Installer must supply hardware for thinner countertops.

For multiple bowl undercounter installations, a minimum distance of 3-3/8\" is required between bowls. Countertop supplier to determine required support.