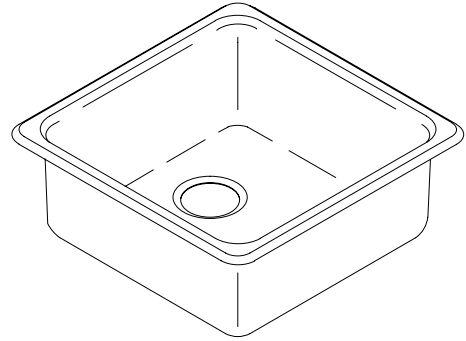


SELF-RIMMING OR UNDERCOUNTER KITCHEN SINK

K-6587

FEATURES

- 20-7/8" x 20-7/8" (self-rimming) or 17-7/8" x 17-7/8" (undercounter mount)
- Cast iron
- Acid resistant enamel finish
- Self-rimming or undercounter mount
- Single compartment



CODES/STANDARDS APPLICABLE

Specified model meets or exceeds the following:

- ASME/ANSI A112.19.1M
- IAPMO/UPC
- Canadian Standards Association (CSA)
- State of Massachusetts

COLORS/FINISHES

- 0 White
- Other Refer to Fixtures Price Book for additional colors

Accessories:

- CP Polished Chrome
- Other Refer to Price Book for additional finishes

SPECIFIED MODEL:

Model	Description	Colors/Finishes	
		<input type="checkbox"/> 0 White	<input type="checkbox"/> Other_____
K-6587	Kitchen sink	<input type="checkbox"/> 0 White	<input type="checkbox"/> Other_____
Optional Accessories			
K-6516	Bottom basin rack	<input type="checkbox"/> 0 White	<input type="checkbox"/> Other_____
K-8801	Duostrainer sink strainer	<input type="checkbox"/> CP	<input type="checkbox"/> Other_____

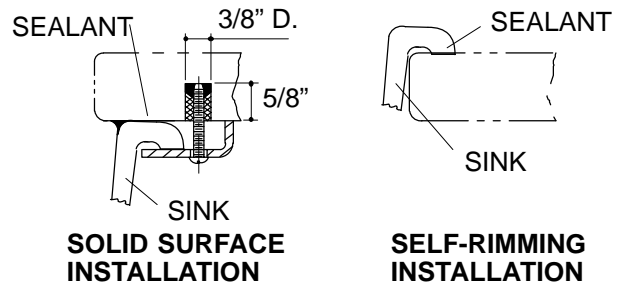
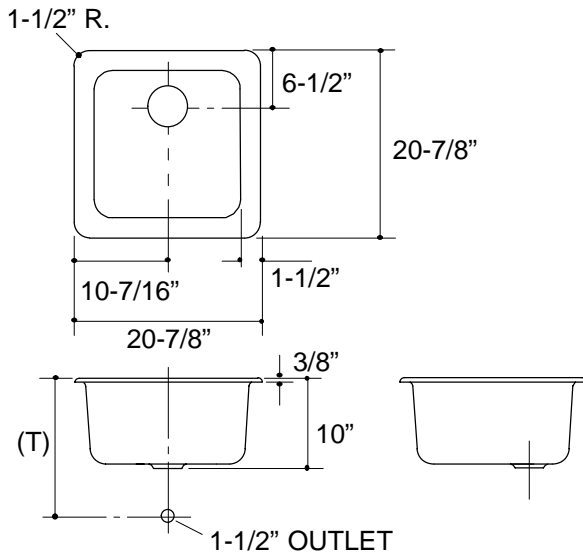
PRODUCT SPECIFICATION:

The self-rimming sink shall be 20-7/8" in length, and 20-7/8" in width, or the undercounter mount sink shall be 17-7/8" in length, and 17-7/8" in width. Sink shall be made of cast iron with acid resistant enamel finish. Sink shall be single compartment. Sink shall be Kohler Model K-6587-_____.

IRON/TONES™

PRODUCT INFORMATION

Fixture*:		basin area	water depth
Sink		18" x 18"	9-1/2"
Outlet	3-7/8" D.		
* Approximate measurements for comparison only.			
Included Components:			
Basin clamp accessory pack		52047	
Cutout template		114335-7	



Roughing-In Notes
(T) Drain typically 15-3/8".
Supplied basin clamp assemblies require 1" minimum countertop thickness. Installer must supply hardware for thinner countertops.
For multiple bowl undercounter installations, a minimum distance of 3-3/8" is required between bowls. Countertop supplier to determine required support.

PRODUCT DIAGRAM