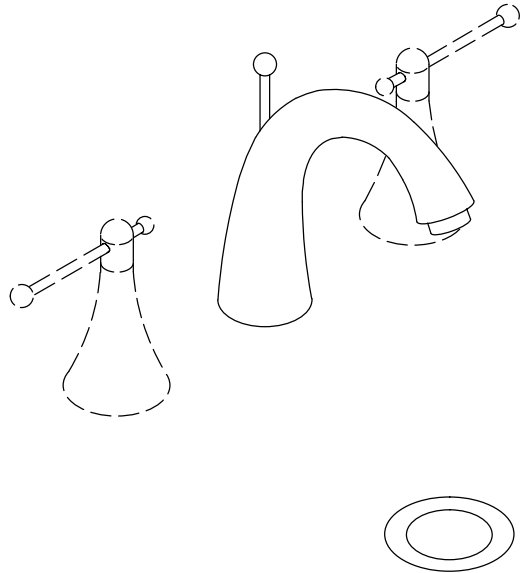


FEATURES

- Brass construction
- Flexible connections
- Brass valve bodies
- Quarter-turn washerless ceramic disc valves
- 5" high-arch spout
- 2.0 gallons per minute
- Pop-up drain with lift rod and tailpiece
- Variety of handle style options



CODES/STANDARDS APPLICABLE




Specified model meets or exceeds the following:

- ASME/ANSI A112.18.1M
- CSA B125
- Energy Policy Act of 1992
- IAPMO/UPC
- NSF 61

COLORS/FINISHES

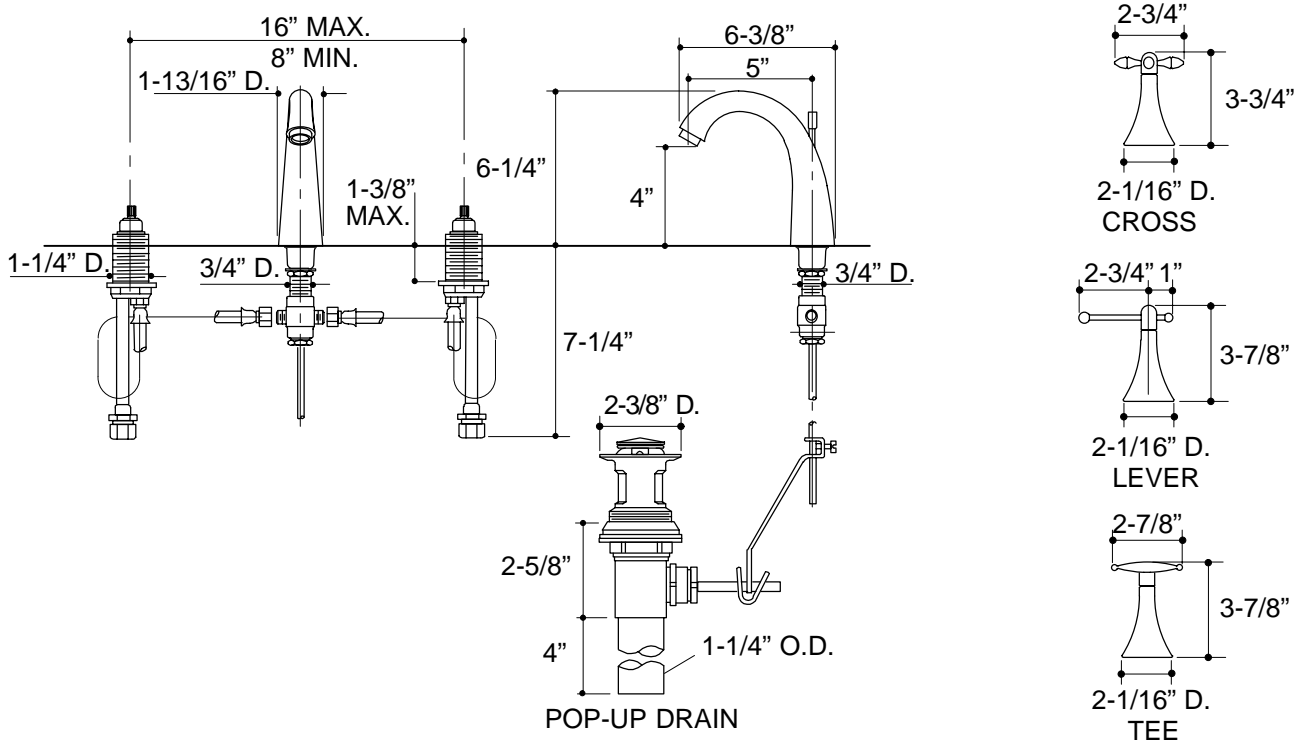
- CP Polished Chrome
- Other Refer to Faucets Price Book for additional finishes

SPECIFIED MODEL:

Model	Description	 ADA	 ADA	
K-310-3	With Cross Handles	<input type="checkbox"/> Other _____		
K-310-4	With Lever Handles		<input type="checkbox"/> CP <input type="checkbox"/> Other _____	
K-310-6	With Tee Handles			<input type="checkbox"/> CP <input type="checkbox"/> Other _____

PRODUCT SPECIFICATION:
 Two-handle widespread lavatory faucet shall be of brass construction. Faucet shall feature brass valve bodies. Faucet shall feature quarter-turn washerless ceramic disc valves, assuring positive handle stop positioning. Product shall include flexible connections, 5" high-arch spout, pop-up drain with lift rod and tailpiece, and handles. Faucet shall be Kohler Model K-310-_____-_____.

FINIAL FUNDAMENTALS



18

PRODUCT DIAGRAM