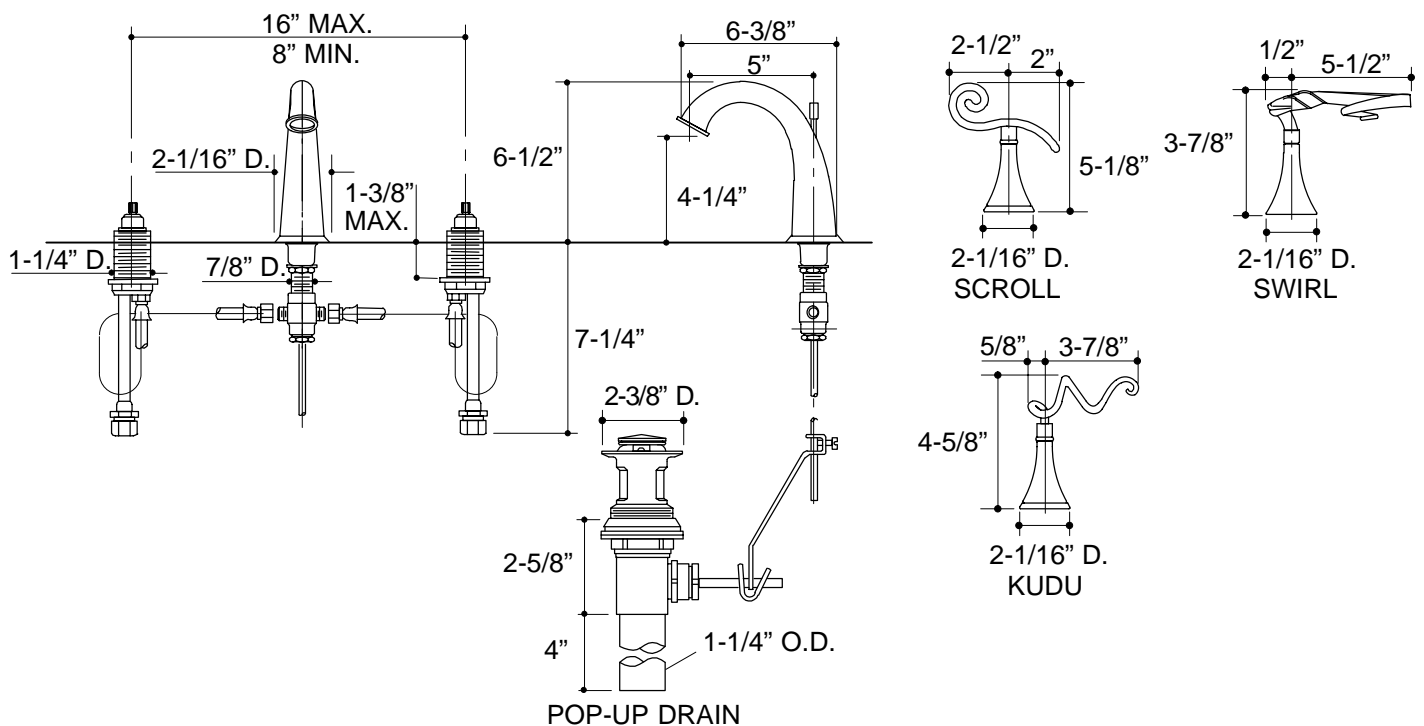


Ordering Information

Applicable faucet:	
With swirl handles	K-610-4W
With scroll handles	K-610-4S
With kudu handles	K-610-4T
ADA Lever handles are ADA compliant	



18

K-610 Finial Art Lavatory Faucet
114355-1-FA (-)

KOHLER®

NOTES: