

### Ordering Information

Applicable faucet trim:	
With cross handles*	K-T312-3
With lever handles*	K-T312-4
With tee handles*	K-T312-6
*Rite-Temp valve must be ordered to complete faucet.	

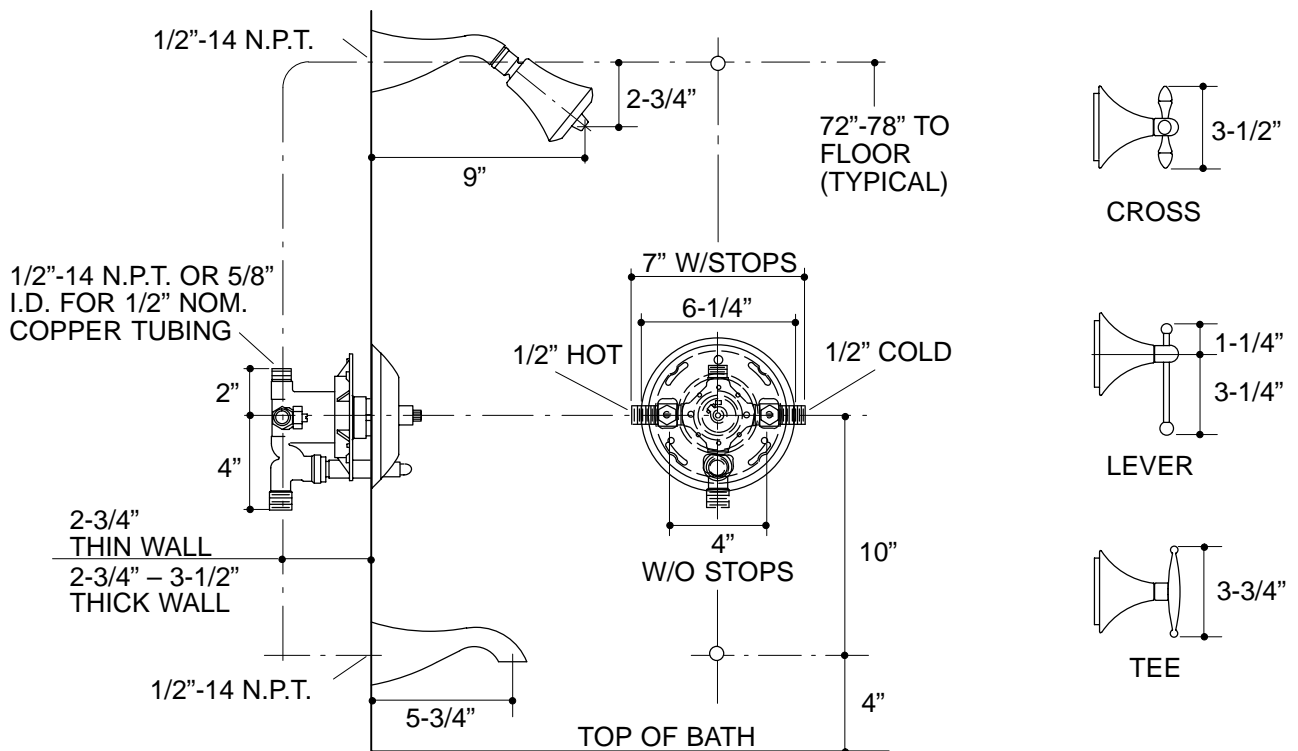
Applicable Rite-Temp valve only:		
Rite-Temp valve without stops	K-305-K	required**
Rite-Temp valve with stops	K-305-KS	required**
**Required for configuration illustrated.		
<b>ADA</b> Lever and cross handles are ADA compliant.		

### Installation Notes

Avoid cross-flow conditions. Do not install shut-off device on either valve outlet.

Cap shower outlet if deck-mount spout, diverter, or handshower is connected to spout outlet.

Install straight pipe or tube drop of 7 to 18" with single elbow between valve and wall-mount spout.



18

**K-T312, K-305** Finial Fundamentals Bath and Shower Faucet  
114356-1-DA (-)

**KOHLER®**

NOTES: