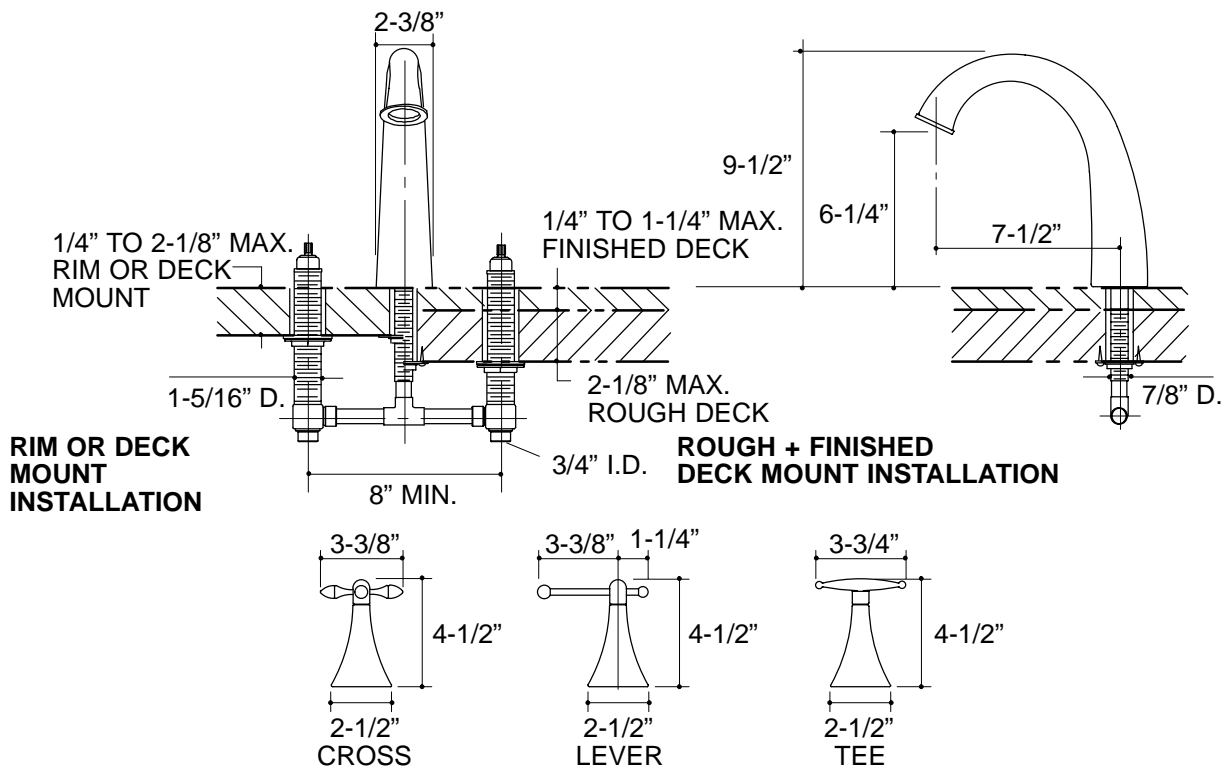


Ordering Information

Applicable faucet trim:		
Cross handles with spout	K-T314-3	
Lever handles with spout	K-T314-4	
Tee handles with spout	K-T314-6	
Applicable valve:		
3/4" valve system	K-301-K-NA	required*
*Required for configuration illustrated.		
ADA Lever and cross handles are ADA compliant		



18

K-T314, K-301-K Finial Fundamental Deck-Mount Bath Faucet
114360-1-CA (A)

KOHLER®

NOTES: