

## Ordering Information

|   |           |             |
|---|-----------|-------------|
| Accessories/hardware:   |           |             |
| Jet trim kit  | K-9696    | required    |
| Drain   | K-7161-AF | recommended |
| Vinyl tiling-in bead*   | K-1179    | optional    |
| *Use K-1179 vinyl bead when wall material contacts any top surface of bath. |           |             |

## Requirements Electrical Service

|   |                     |
|---|---------------------|
| Dedicated circuit required, protected with Class A Ground-Fault Circuit-Interrupter (GFCI): |                     |
| Pump/control  | 120 V., 20 A, 60 Hz |

## Product Information

|   |             |           |          |    |      |
|---|-------------|-----------|----------|----|------|
| Fixture*:                                       | basin area  | top area  | weight   |    |      |
| Bathing well                                    | 41" x 29"   | 56" x 36" | 130 lbs. |    |      |
|   | water depth | capacity  |          |    |      |
| To overflow                                     | 15"         | 85 gals.  |          |    |      |
| * Approximate measurements for comparison only. |             |           |          |    |      |
| Pump:   | high HP     | low HP    | V        | Hz | A    |
| 2-speed   | 1           | 1/8       | 120      | 60 | 16.5 |

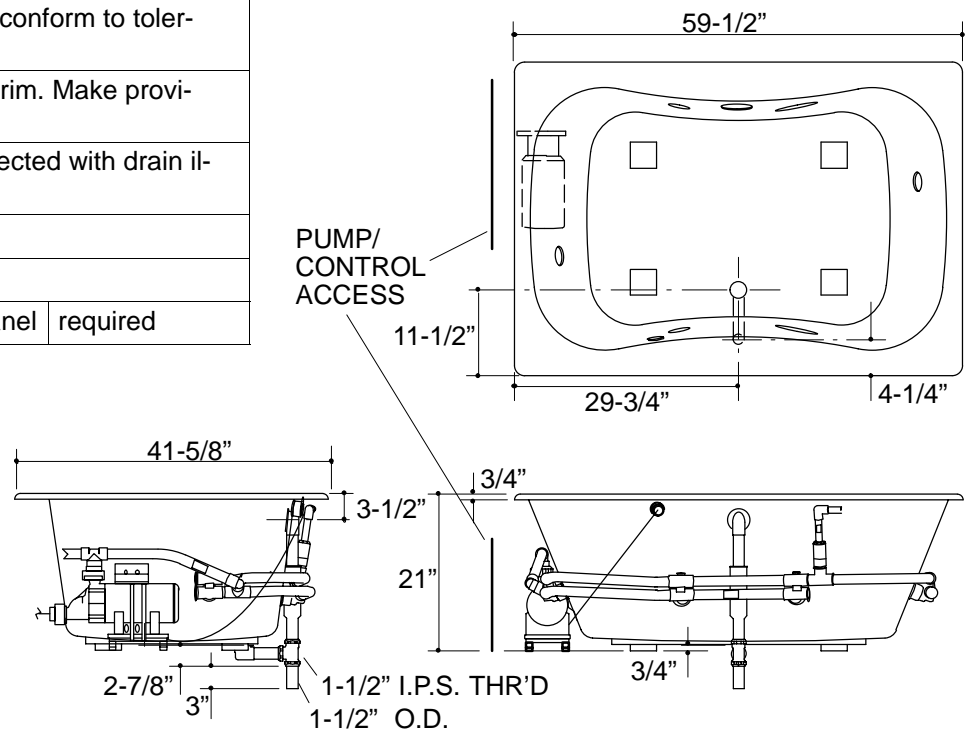
## Installation Notes

Refer to installation instructions included with fixture before beginning installation.

If installing a rim-mount faucet, make sure there is no interference with drain overflow and circulating system before drilling any holes. Consult local and national codes for minimum air gap requirements if installing a spout on the faucet deck.

Pump is supplied with a grounding type plug-in cord. Locate the outlet behind the whirlpool, and within 24" of the pump.

|   |                     |          |
|---|---------------------|----------|
| <b>Roughing-In Notes</b>  |                     |          |
| Fixture dimensions are nominal and conform to tolerances in ANSI Standard Z124.1.       |                     |          |
| Pump extends 1/2" beyond the bath rim. Make provisions during rough-in or installation. |                     |          |
| No change in measurements if connected with drain illustrated.                          |                     |          |
| Cut-out   | 58" x 40"           |          |
| Minimum access:   |                     |          |
| Pump/control  | 20" W x 15" H panel | required |



1.25>132