

Ordering Information

Applicable product:		
Right outlet	K-1460-H	shown
Left outlet	K-1461-H	not shown
Accessories/hardware:		
Jet trim kit	K-9696	required
Drain	K-7161-AF	recommended
Apron	K-1445	optional
Vinyl tiling-in bead*	K-1177	optional
*Use K-1177 vinyl bead when wall material contacts any top surface of bath.		

Required Electrical Service

Dedicated circuit required, protected with Class A Ground-Fault Circuit-Interrupter (GFCI):	
Pump/control	120 V., 20 A, 60 Hz

Product Information

Fixture*:	basin area	top area	weight
Bathing well	1270 x 686mm	1549 x 762mm	61 Kg.
	water depth	capacity	
To overflow	451mm	379 litres	

* Approximate measurements for comparison only.

Pump:	high HP	low HP	V	Hz	A
2-speed	1	1/8	120	60	16.5

Installation Notes

Refer to installation instructions included with fixture before beginning installation.

Pump is supplied with a grounding type plug-in cord. Locate the outlet behind the whirlpool, and within 610mm of the pump.

Roughing-In Notes

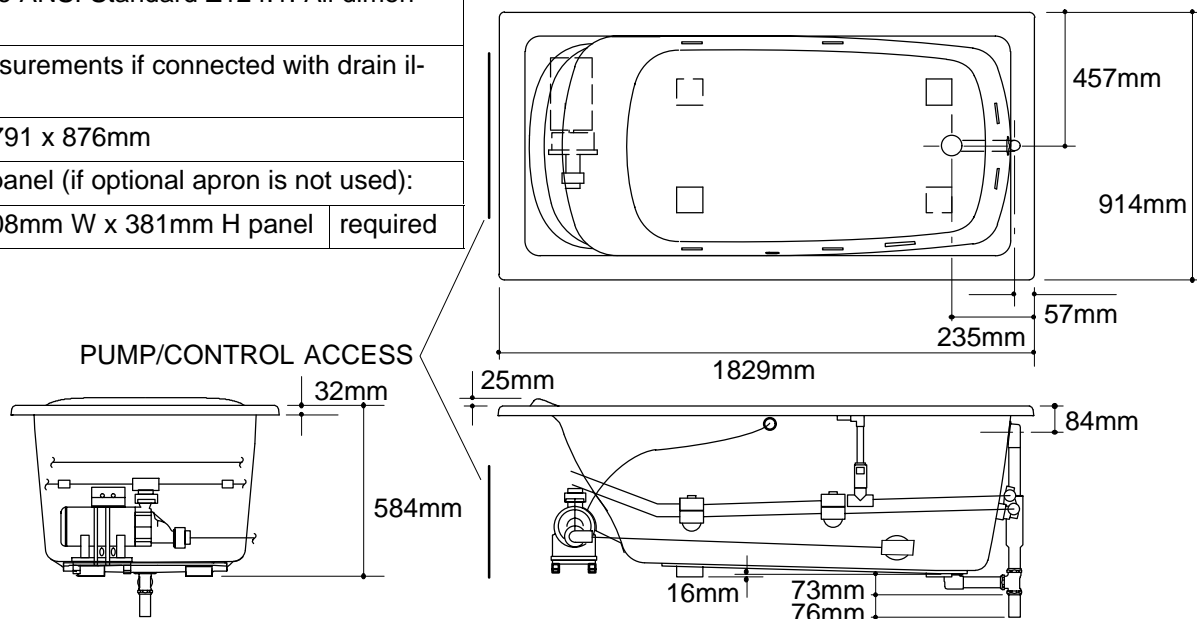
Fixture conforms to ANSI Standard Z124.1. All dimensions are nominal.

No change in measurements if connected with drain illustrated.

Cut-out 1791 x 876mm

Minimum access panel (if optional apron is not used):

Pump/control 508mm W x 381mm H panel required



1.25>132

1-1/2" O.D.

K-1460-H, K-1461-H Portrait™ 6' Whirlpool
114371-1M-AA (A)

KOHLER®