

Ordering Information

Applicable product:		
Left outlet	K-1015	shown
Right outlet	K-1016	not shown
Accessories/hardware:		
Tower	K-1000	required
Alcove enclosure	K-5161	required
Drain	K-7160-AF	recommended
Taboret Rite-Temp	K-1099	recommended
Taboret Two-handle	K-1098	

Requirements Electrical Service

Dedicated circuit required, protected with Class A Ground-Fault Circuit-Interrupter (GFCI):	
Pump supplied with grounding type plug-in cord. Locate outlet behind whirlpool, and within 24" of pump.	
Pump/control	120 V., 20 A, 60 Hz

Product Information

Fixture*:	basin area	top area	weight
Bathing well	37" x 36"	38" x 37"	115 lbs.
	water depth	capacity	
To overflow	8-1/4"	43 gal.**	

* Approximate measurements for comparison only.

** 37 gallon minimum required for BodySpa operation.

Pump:	HP	V	Hz	A
1-speed	2	120	60	18.5

Installation Notes

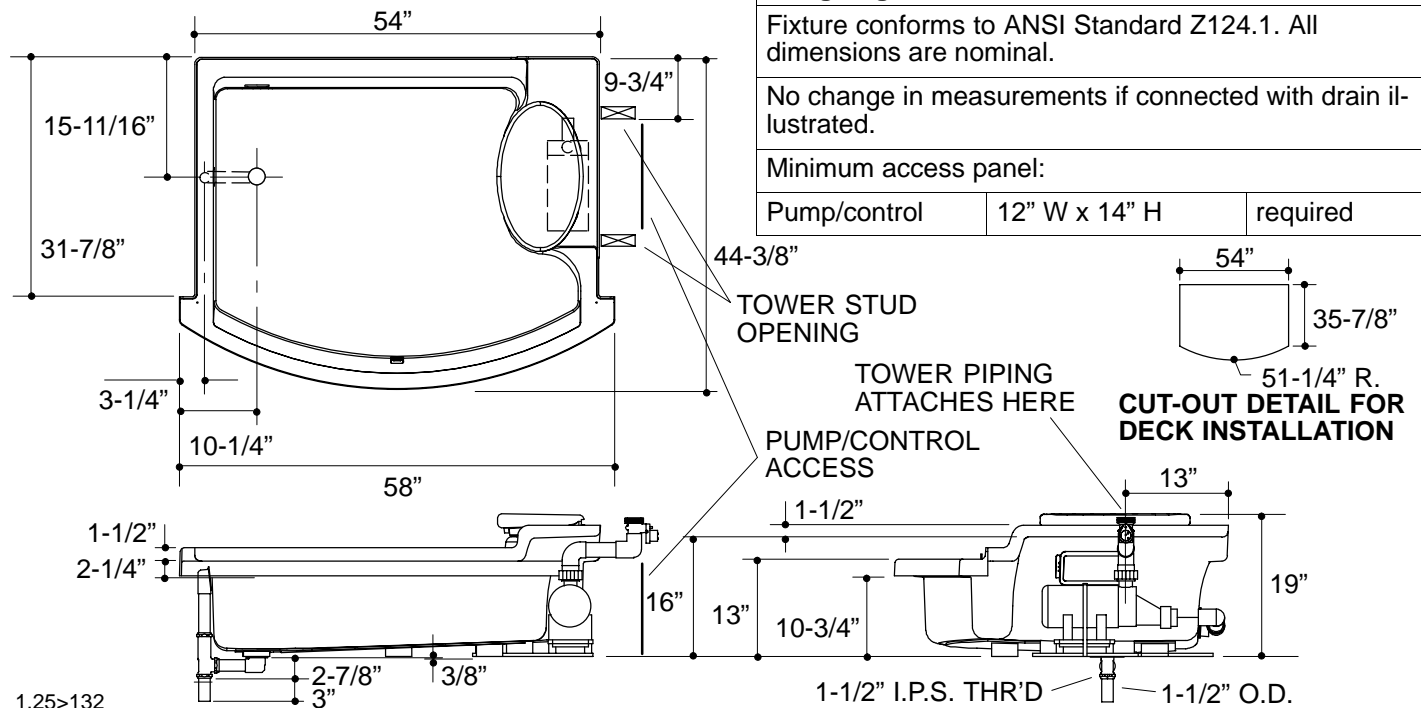
Refer to installation instructions included with fixture before beginning installation.

Stud placement is critical. Follow installation instruction stud pocket preparation.

Allow 83-1/2" to 84" from sub-floor to finished ceiling or header for proper enclosure installation.

Enclose top of unit to retain heat and contain water spray.

The BodySpa is not designed for steam applications, and may not perform satisfactorily as a steam unit.



Roughing-In Notes

Fixture conforms to ANSI Standard Z124.1. All dimensions are nominal.

No change in measurements if connected with drain illustrated.

Minimum access panel:

Pump/control	12" W x 14" H	required
--------------	---------------	----------

1.25>132

K-1015, K-1016 BodySpa Alcove Footbath
114377-1-DA (-)

KOHLER®