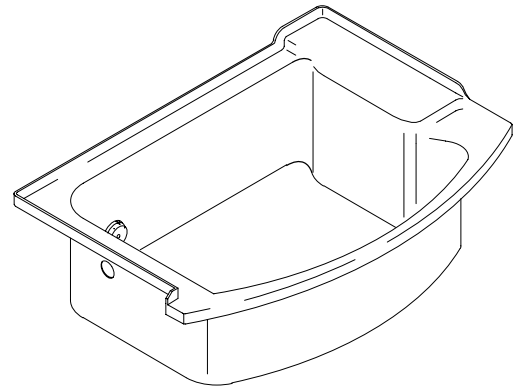


K-1035, K-1036

FEATURES

- 54" x 44-1/4" x 13"
- Acrylic
- 2 hp variable flow pump, integral heater and suction housing
- Outlet at left or right
- Recirculating pump delivers flows up to 80 gallons per minute of powerful hydro-massage
- Order one Tower, Bath/Footbath, and Enclosure for each complete BodySpa installation



CODES/STANDARDS APPLICABLE

Specified model meets or exceeds the following:

- ANSI Z124.1
- ASME/ANSI A112.19.7M
- IAPMO/UPC
- Underwriters Laboratories (UL)
- State of Massachusetts

COLORS/FINISHES

- 0 White
- Other Refer to Fixtures Price Book for additional colors

Accessories:

- CP Polished Chrome
- PB Polished Brass
- SS Satin Silver
- SB Satin Brass
- Other Refer to Faucets Price Book for additional finishes

SPECIFIED MODEL:

| Model | Description | Colors/Finishes | |
|--------|-------------------------------|----------------------------------|--------------------------------------|
| K-1035 | Footbath with outlet at left | <input type="checkbox"/> 0 White | <input type="checkbox"/> Other _____ |
| K-1036 | Footbath with outlet at right | <input type="checkbox"/> 0 White | <input type="checkbox"/> Other _____ |

| Required Accessories | | | | |
|-------------------------|---------------------------------|-----------------------------|-----------------------------|--------------------------------------|
| K-1030 | BodySpa 8-Jet Tower | <input type="checkbox"/> CP | <input type="checkbox"/> PB | <input type="checkbox"/> Other _____ |
| K-5161-L | Alcove enclosure (shower doors) | <input type="checkbox"/> SS | <input type="checkbox"/> SB | <input type="checkbox"/> 0 White |
| Recommended Accessories | | | | |
| K-7160-AF | Drain | <input type="checkbox"/> CP | <input type="checkbox"/> PB | |
| K-1099 | Taboret Rite-Temp OR | <input type="checkbox"/> CP | <input type="checkbox"/> PB | |
| K-1098 | Taboret Two-handle | <input type="checkbox"/> CP | <input type="checkbox"/> PB | |

PRODUCT SPECIFICATION:

The footbath shall be 54" in length, 44-1/4" in width, and 13" in height. Footbath shall be made of acrylic. Footbath shall have 2 hp variable flow pump, integral heater and suction housing. Footbath shall have an outlet at left or right. Footbath recirculating pump shall deliver flows up to 80 gallons per minute of powerful hydro-massage. Footbath shall be configured with BodySpa 8-Jet Tower, and BodySpa Enclosure. Footbath shall be Kohler Model K-_____ - _____.

BODYSPA

REQUIRED ELECTRICAL SERVICE

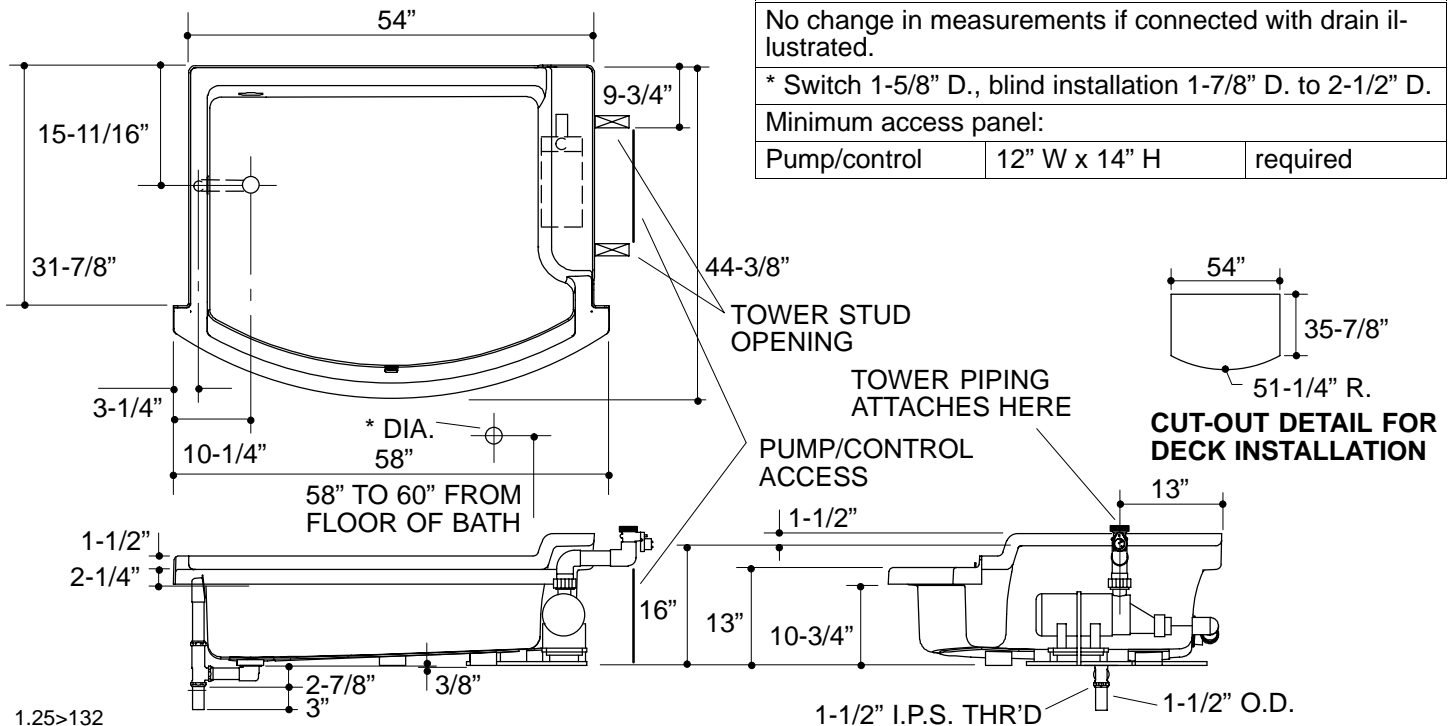
| | |
|---|---------------------|
| Dedicated circuit required, protected with Class A Ground-Fault Circuit-Interrupter (GFCI): | |
| Pump supplied with grounding type plug-in cord. Locate outlet behind whirlpool, and within 24" of pump. | |
| Pump/control | 120 V., 20 A, 60 Hz |

PRODUCT INFORMATION

| Fixture*: | basin area | top area | weight | |
|--|-------------|-----------|----------|------|
| Bathing well | 44" x 36" | 45" x 37" | 110 lbs. | |
| | water depth | capacity | | |
| To overflow | 8-1/4" | 43 gal.** | | |
| * Approximate measurements for comparison only. | | | | |
| ** 37 gallon minimum required for BodySpa operation. | | | | |
| Pump: | HP | V | Hz | A |
| 1-speed | 2 | 120 | 60 | 18.5 |

INSTALLATION NOTES

Stud placement is critical. Follow installation instruction stud pocket preparation.
 Locate control switch within boundaries of enclosure. 6' cable included.
 Allow 83-1/2" to 84" from sub-floor to finished ceiling or header for proper enclosure installation.
 Enclose top of unit to retain heat and contain water spray. The BodySpa is not designed for steam applications, and may not perform satisfactorily as a steam unit.



| Roughing-In Notes | | |
|--|---------------|----------|
| No change in measurements if connected with drain illustrated. | | |
| * Switch 1-5/8" D., blind installation 1-7/8" D. to 2-1/2" D. | | |
| Minimum access panel: | | |
| Pump/control | 12" W x 14" H | required |

PRODUCT DIAGRAM