

Ordering Information

| Accessories/hardware: | | |
|-----------------------|-----------|-------------|
| Tower | K-1030 | required |
| Corner enclosure | K-5162 | required |
| Drain | K-7160-TF | recommended |
| Taboret Rite-Temp | K-1099 | recommended |
| Taboret Two-handle | K-1098 | |

Required Electrical Service

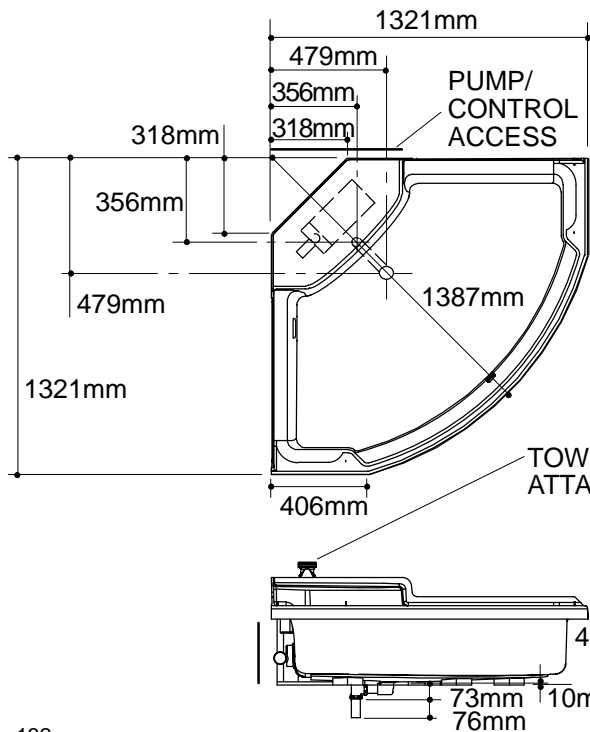
| | |
|---|---------------------|
| Dedicated circuit required, protected with Class A Ground-Fault Circuit-Interrupter (GFCI): | |
| Pump/control | 120 V., 20 A, 60 Hz |

Product Information

| Fixture*: | basin area | top area | weight | |
|---|--------------|--------------|--------|------|
| Bathing well | 1524 x 711mm | 1575 x 737mm | 50 Kg. | |
| | water depth | capacity | | |
| To overflow | 267mm | 163 litres** | | |
| *Approximate measurements for comparison only. **140 litre minimum required for BodySpa operation. | | | | |
| Pump: | HP | V | Hz | A |
| 1-speed | 2 | 120 | 60 | 18.5 |

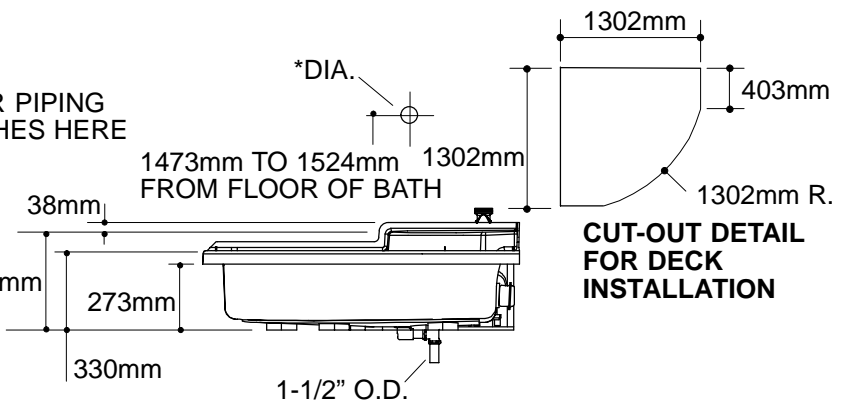
Installation Notes

Refer to installation instructions included with fixture before beginning installation.
Locate control switch within the boundaries of the enclosure. 1829mm cable is included.
Allow 2121mm to 2134mm from sub-floor to finished ceiling or header for proper enclosure installation.
Top of unit must be enclosed to retain heat and contain water spray.
Pump is supplied with a grounding type plug-in cord. Locate the outlet behind the bath, and within 610mm of the pump.



Roughing-In Notes

| | | |
|---|-------------------------|----------|
| Fixture conforms to ANSI Standard Z124.1. All dimensions are nominal. | | |
| No change in measurements if connected with drain illustrated. | | |
| * Switch 38mm, blind installation 48mm to 64mm. | | |
| Minimum access panel: | | |
| Pump/control | 508mm W x 305mm H panel | required |



132