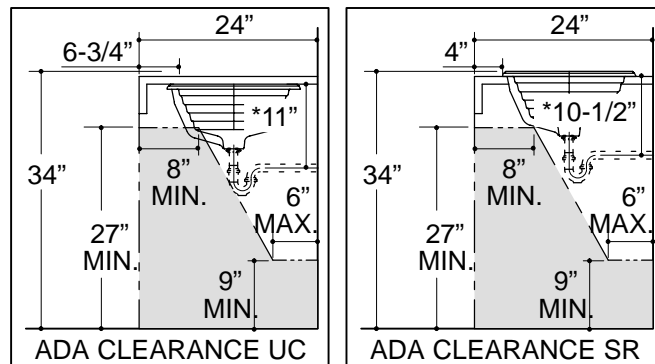
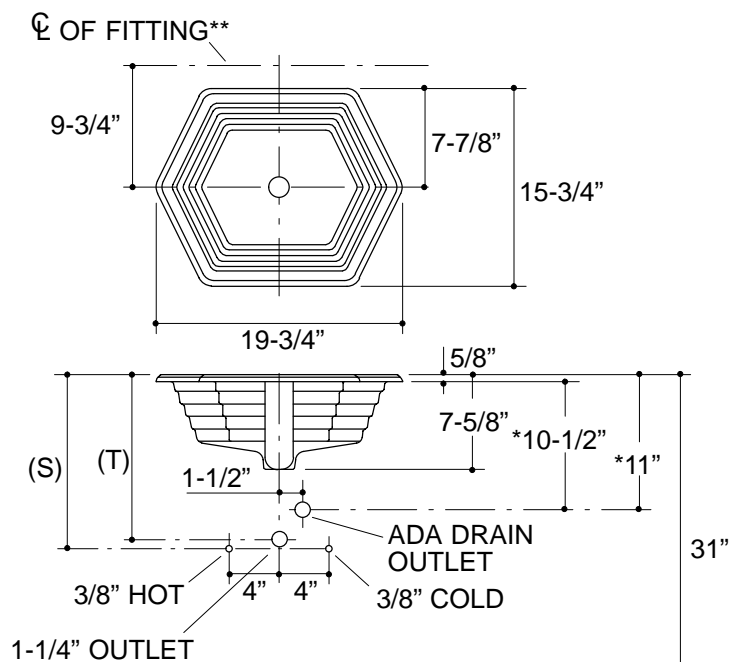


Ordering Information

Accessories/hardware		
Trap	K-8998	recommended

Product Information

ADA compliant.			
Fixture*:		basin area	water depth
Lavatory		17" x 13"	4-7/8"
Outlet	1-3/4" D.		
* Approximate measurements for comparison only.			
Included Components:			
Overflow ferrule			44071
Adjustable linkage			40372
Basin clamp assembly, undercounter			52047
Cutout template			114407-7



Roughing-In Notes

Fixture dimensions are nominal and conform to tolerances in ASME/ANSI Standard A112.19.1M.

*Based on K-9018, with 1" of tailpiece exposed.

(T) Pop-up drain typically 13-1/4".

(S) 14" (Based on 14" riser which may require cutting).

**Spout must be 4-5/8" long (min.) for adequate clearance into lavatory.

Supplied basin clamp assembly for undercounter installation require 1" minimum countertop thickness. Installer must supply hardware for thinner countertops.