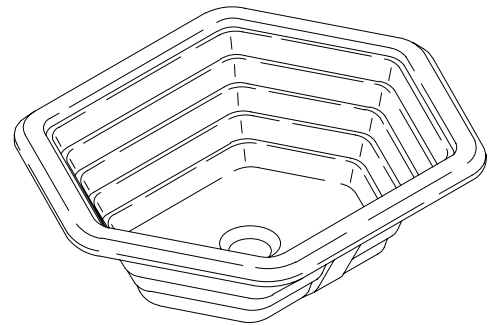


FEATURES

- 19-3/4" x 15-3/4"
- Cast iron
- Self-rimming or Undercounter
- With overflow
- ADA compliant
- Sculptured basin



CODES/STANDARDS APPLICABLE

Specified model meets or exceeds the following:

- ADA
- ASME/ANSI A112.19.1M
- CABO/ANSI A117.1
- IAPMO/UPC
- Canadian Standards Association (CSA)
- State of Massachusetts

COLORS/FINISHES

- 0 White
- Other Refer to Fixtures Price Book for additional colors

Accessories:

- CP Polished Chrome
- Other Refer to Faucets Price Book for additional finishes

SPECIFIED MODEL:

Model	Description	Colors/Finishes	
K-2933	Sculptured basin lavatory	<input type="checkbox"/> 0 White	<input type="checkbox"/> Other_____
Recommended Accessories			
K-9018	Trap	<input type="checkbox"/> CP	<input type="checkbox"/> Other_____

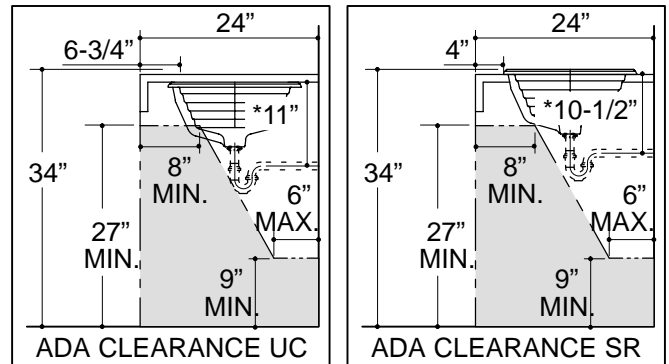
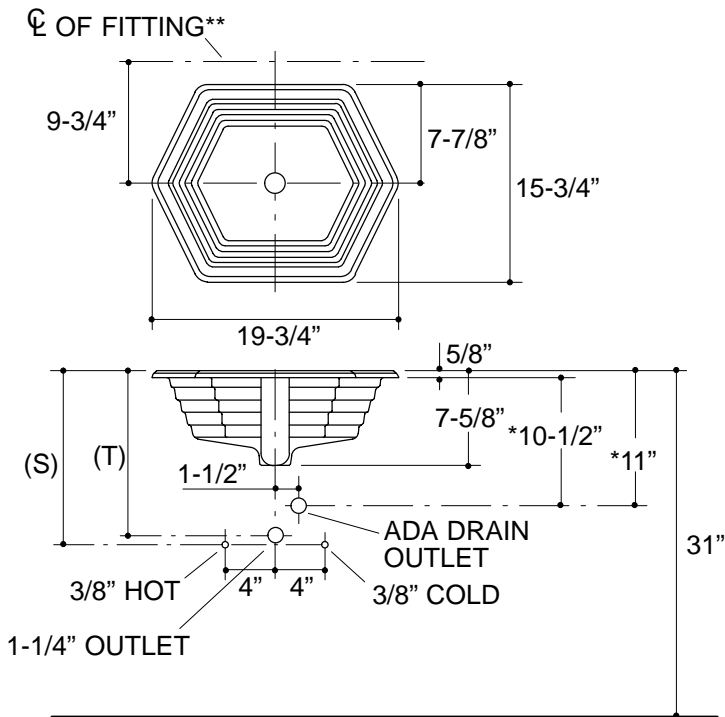
PRODUCT SPECIFICATION:

The lavatory shall be 19-3/4" in length, and 15-3/4" in width. Lavatory shall be made of cast iron. Lavatory shall have overflow. Lavatory shall be ADA compliant. Lavatory shall have sculptured basin. Lavatory shall be Kohler Model K-2933-_____.

TERRAGON™

PRODUCT INFORMATION

ADA compliant.			
Fixture*:		basin area	water depth
Lavatory		17" x 13"	4-7/8"
Outlet	1-3/4" D.		
* Approximate measurements for comparison only.			
Included Components:			
Overflow ferrule			44071
Adjustable linkage			40372
Basin clamp assembly, undercounter			52047
Cutout template			114407-7



Roughing-In Notes
*Based on K-9018, with 1" of tailpiece exposed.
(T) Pop-up drain typically 13-1/4".
(S) 14" (Based on 14" riser which may require cutting).
**Spout must be 4-5/8" long (min.) for adequate clearance into lavatory.
Supplied basin clamp assembly for undercounter installation require 1" minimum countertop thickness. Installer must supply hardware for thinner countertops.

116

PRODUCT DIAGRAM