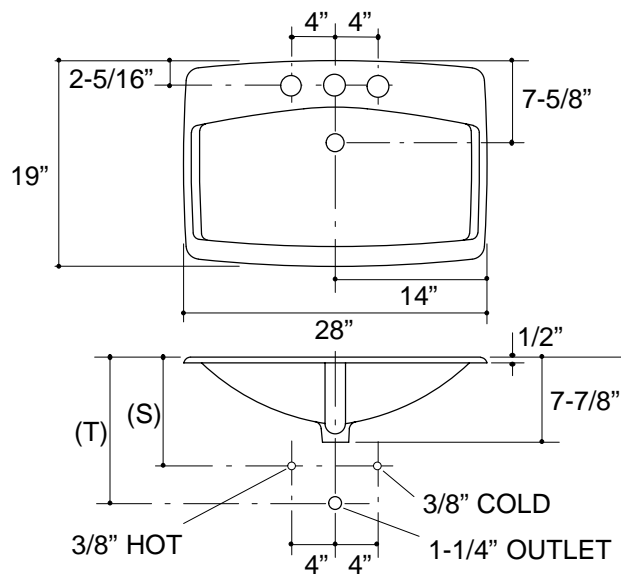


**Ordering Information**

Applicable product:		
8" centers lavatory	K-2885-8U	shown

**Product Information**

ADA compliant.			
Fixture*:		basin area	water depth
Lavatory		24" x 13"	4-1/4"
Outlet	1-11/16" D.		
* Approximate measurements for comparison only.			
Included Components:			
Overflow ferrule (1)			44071
Basin clamp assembly			52047
Cutout template			114408-7



<b>Roughing-In Notes</b>
Fixture dimensions are nominal and conform to tolerances in ASME/ANSI Standard A112.19.1M.
(T) Pop-up 13-1/2".
(S) 10" (Based on 12" riser which may require cutting).
Faucet holes in undercounter fixture are oversized at 2-3/8" D. Drill fitting holes in counter according to fitting rough-in.

.9<116