

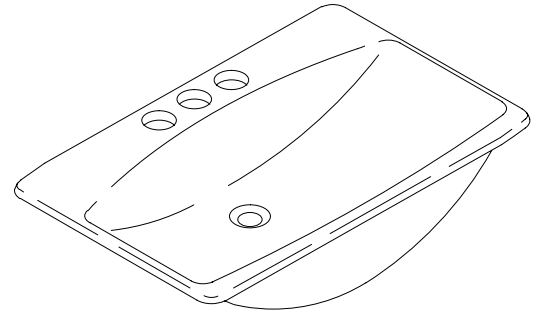
### UNDERCOUNTER LAVATORY

# K-2885-8U

ADA

#### FEATURES

- 24" x 13"
- Cast iron
- Undercounter
- 8" centers
- Faucet holes are oversized to accommodate single-hole centermount or widespread faucet
- ADA compliant



#### CODES/STANDARDS APPLICABLE

Specified model meets or exceeds the following:

- ADA
- ASME/ANSI A112.19.1M
- CABO/ANSI A117.1
- IAPMO/UPC
- Canadian Standards Association (CSA)
- State of Massachusetts

#### COLORS/FINISHES

- 0 White
- Other Refer to Fixtures Price Book for additional colors

#### Accessories:

- CP Polished Chrome
- Other Refer to Faucets Price Book for additional finishes

#### SPECIFIED MODEL:

Model	Description	Colors/Finishes	
K-2885-8U	8" centers lavatory	<input type="checkbox"/> 0 White	<input type="checkbox"/> Other_____
Recommended Accessories			
K-8998	Trap	<input type="checkbox"/> CP	<input type="checkbox"/> Other_____

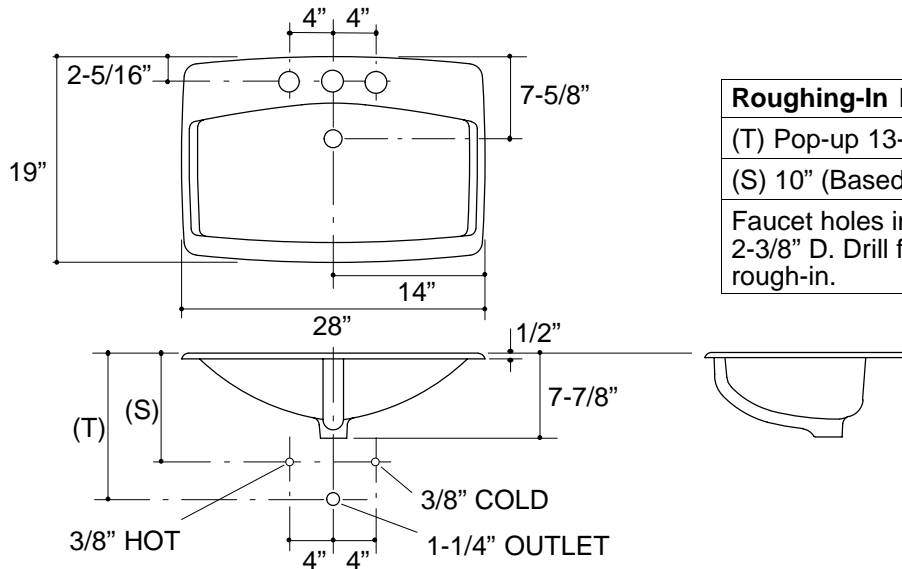
#### PRODUCT SPECIFICATION:

The undercounter lavatory shall be 24" in length, and 13" in width. Lavatory shall be made of cast iron. Lavatory shall have 8" centers. Lavatory shall have oversized faucet holes to accommodate single-hole centermount or widespread faucet. Lavatory shall be ADA compliant. Lavatory shall be Kohler Model K-2885-8U\_\_\_\_\_.

# MAN'S LAV™

## PRODUCT INFORMATION

ADA compliant.			
Fixture*:		basin area	water depth
Lavatory		24" x 13"	4-1/4"
Outlet	1-11/16" D.		
* Approximate measurements for comparison only.			
Included Components:			
Overflow ferrule (1)			44071
Basin clamp assembly			52047
Cutout template			114408-7



<b>Roughing-In Notes</b>
(T) Pop-up 13-1/2".
(S) 10" (Based on 12" riser which may require cutting).
Faucet holes in undercounter fixture are oversized at 2-3/8" D. Drill fitting holes in counter according to fitting rough-in.

.9<116

## PRODUCT DIAGRAM