

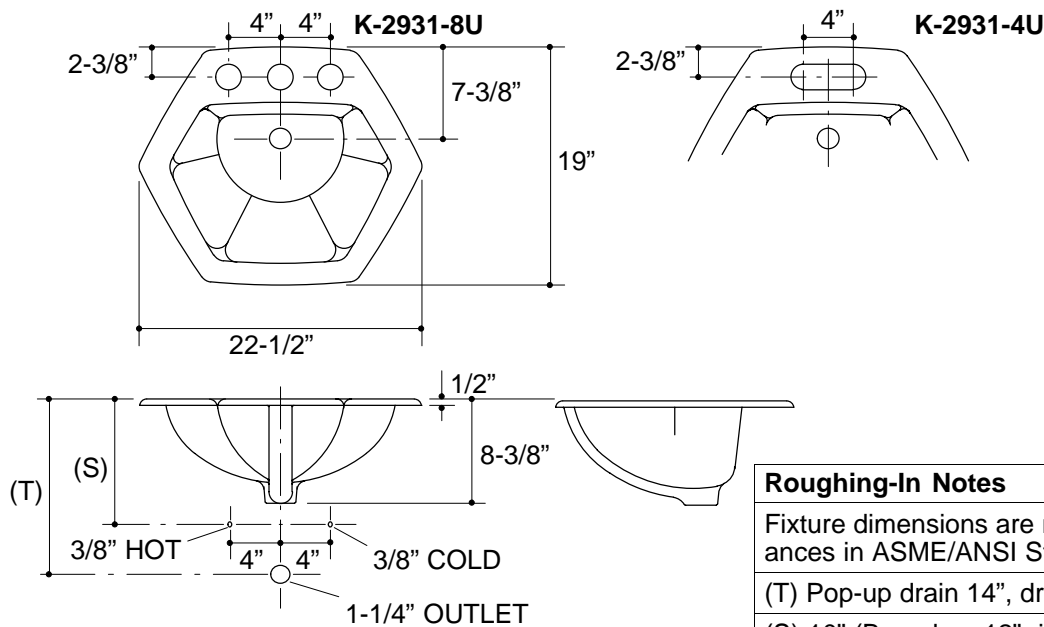
**Ordering Information**

Applicable product:		
8" centers lavatory	K-2931-8U	shown
4" centers lavatory	K-2931-4U	not shown

**Product Information**

Fixture*:		basin area	water depth
Lavatory		18" x 13"	4-3/4"
Outlet	1-11/16" D.		
* Approximate measurements for comparison only.			

Included Components:	
Overflow ferrule (1)	44071
Basin clamp assembly	52047
Cutout template	114410-7



<b>Roughing-In Notes</b>
Fixture dimensions are nominal and conform to tolerances in ASME/ANSI Standard A112.19.1M.
(T) Pop-up drain 14", drain 13-1/8".
(S) 10" (Based on 12" riser which may require cutting).
Faucet holes in undercounter fixture are oversized at 2-3/8" D. Drill fitting holes in counter according to fitting rough-in.