

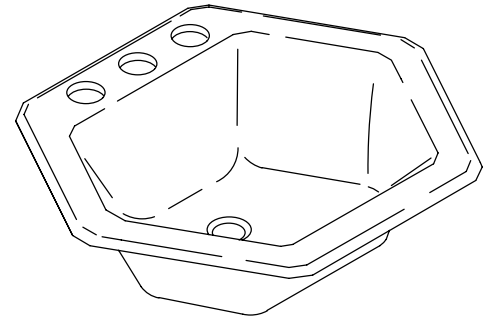
UNDERCOUNTER LAVATORY

K-2931-U

ADA

FEATURES

- 18" x 13"
- Cast iron
- Undercounter
- 8" centers (K-2931-8U) or 4" centers (K-2931-4U)
- With overflow
- Oversized faucet holes to accommodate single-hole centermount or centerset faucet (K-2931-4U)
- Oversized faucet holes to accommodate single-hole centermount or widespread faucet (K-2931-8U)



CODES/STANDARDS APPLICABLE

Specified model meets or exceeds the following:

- ADA
- ASME/ANSI A112.19.1M
- IAPMO/UPC
- Canadian Standards Association (CSA)
- CABO/ANSI A117.1
- State of Massachusetts

COLORS/FINISHES

- 0 White
- Other Refer to Fixtures Price Book for additional colors

Accessories:

- CP Polished Chrome
- Other Refer to Faucets Price Book for additional finishes

SPECIFIED MODEL:

Model	Description	Colors/Finishes	
K-2931-8U	8" centers lavatory	<input type="checkbox"/> 0 White	<input type="checkbox"/> Other_____
K-2931-4U	4" centers lavatory	<input type="checkbox"/> 0 White	<input type="checkbox"/> Other_____

Recommended Accessories			
K-8998	Trap	<input type="checkbox"/> CP	<input type="checkbox"/> Other_____

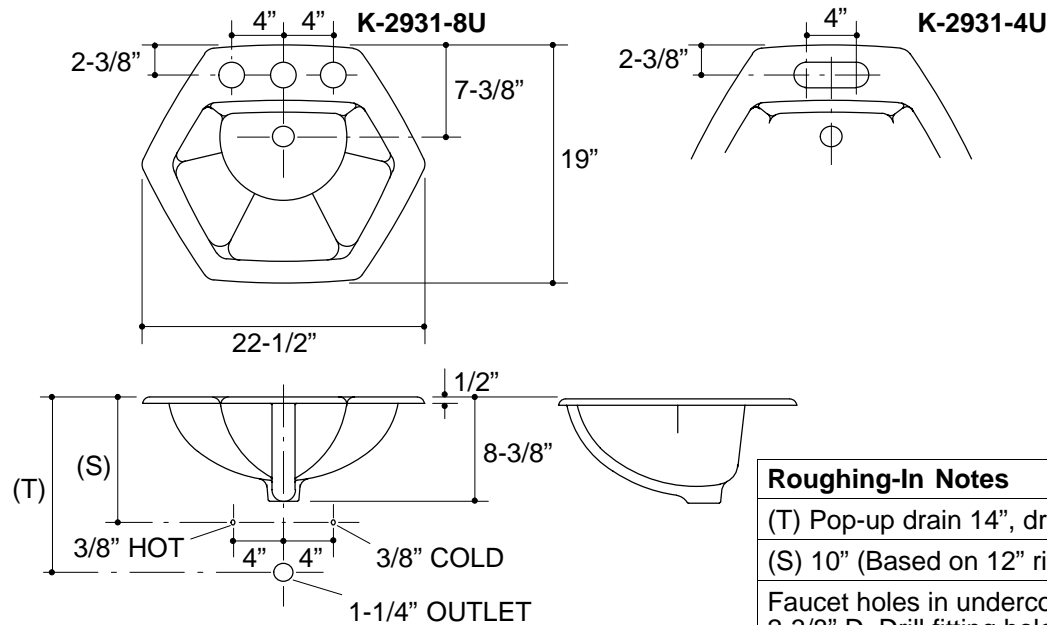
PRODUCT SPECIFICATION:

The undercounter lavatory shall be 18" in length, and 13" in width. Lavatory shall be made of cast iron. Lavatory shall have 8" centers (K-2931-8U), or 4" centers (K-2931-4U). Lavatory shall have overflow. Lavatory shall have oversized faucet holes to accommodate single-hole centermount, centerset, or widespread faucet. Lavatory shall be Kohler Model K-2931-____U-_____.

PRODUCT INFORMATION

Fixture*:		basin area	water depth
Lavatory		18" x 13"	4-3/4"
Outlet	1-11/16" D.		
* Approximate measurements for comparison only.			

Included Components:	
Overflow ferrule (1)	44071
Basin clamp assembly	52047
Cutout template	114410-7



Roughing-In Notes

(T) Pop-up drain 14", drain 13-1/8".

(S) 10" (Based on 12" riser which may require cutting).

Faucet holes in undercounter fixture are oversized at 2-3/8" D. Drill fitting holes in counter according to fitting rough-in.

PRODUCT DIAGRAM