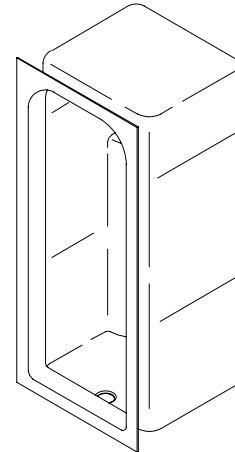


FEATURES

- 36" x 36" x 84"
- Acrylic
- Integral soap ledge
- Integral high-dome ceiling
- Three-piece design for remodeling instructions



CODES/STANDARDS APPLICABLE

Specified model meets or exceeds the following:

- ANSI Z124.2
- State of Massachusetts

COLORS/FINISHES

- 0 White
- Other Refer to Fixtures Price Book for additional colors

Accessories:

- CP Polished Chrome
- PB Polished Brass
- SV Nevada Silver™
- BR New England Brass™
- Other Refer to Faucets Price Book for additional finishes
- NA None Applicable

SPECIFIED MODEL:

Model	Description	Colors/Finishes	
K-1699	Shower module	<input type="checkbox"/> 0 White	<input type="checkbox"/> Other_____

Recommended Accessories				
K-9132	Drain	<input type="checkbox"/> CP	<input type="checkbox"/> PB	<input type="checkbox"/> Other_____

Optional Accessories				
K-1559	Steam generator			<input type="checkbox"/> NA
K-1570	Dome light			<input type="checkbox"/> NA
K-9724	Sonata Glassworks™ steam pivot shower door* OR	<input type="checkbox"/> SV	<input type="checkbox"/> BR	
K-9723	Sonata Glassworks pivot shower door*	<input type="checkbox"/> SV	<input type="checkbox"/> BR	

* Refer to Fixtures Price Book for glass options.

PRODUCT SPECIFICATION:

The three-piece shower module shall be 36" in length, 36" in width, and 84" in height. Shower module shall be made of acrylic. Shower module shall have an integral soap ledge. Shower module shall have integral high-dome ceiling. Shower module shall be Kohler Model K-1699-_____.

SONATA® II

PRODUCT INFORMATION

Fixture:	
Weight	148 lbs.
Configuration	3-piece
Drain Outlet	3-3/8" D.

INSTALLATION NOTES

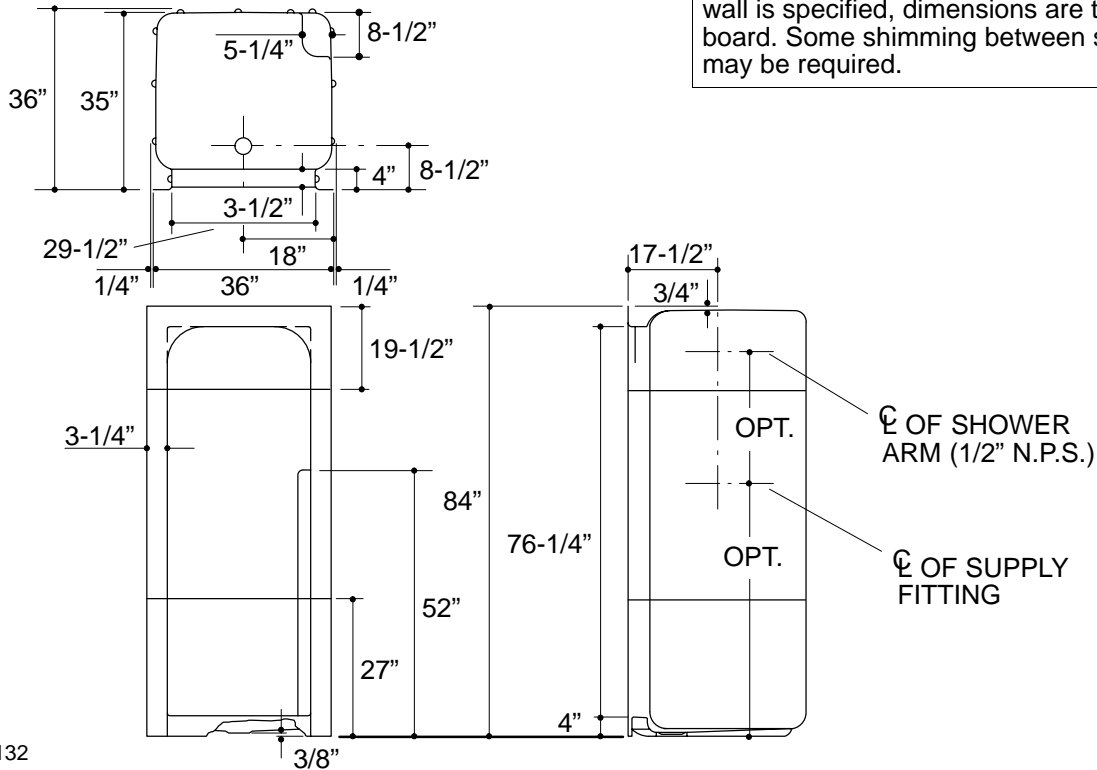
Fixture not drilled for supply fittings.

Shimming may be required to level fixture.

Mastershower K-74 and K-75 not recommended.

Roughing-In Notes

Stud opening tolerance (+ 1/4" - 0"). When fire rated wall is specified, dimensions are to the inside of the wall board. Some shimming between stud frame and fixture may be required.



.85<132

PRODUCT DIAGRAM