

### Ordering Information

Applicable product:		
Vessels™ Turnings	K-2191	shown
Vessels™ Conical Bell	K-2200	not shown
Accessories/hardware:		
P-trap	K-9018	recommended
Falling water faucet 6" spout	K-195	recommended
Falling water faucet 9" spout	K-197	recommended
Falling water faucet 12" spout	K-199	recommended
Pop-up drain with undercounter-mount actuator	K-7702	recommended
Drain	K-7710	recommended
Grid drain	K-7715	recommended
Vessels wall-mount bracket	K-9655	optional

### Product Information

Fixture*:		basin area	water depth
Lavatory		Ø403mm	108mm
Outlet	Ø44mm		

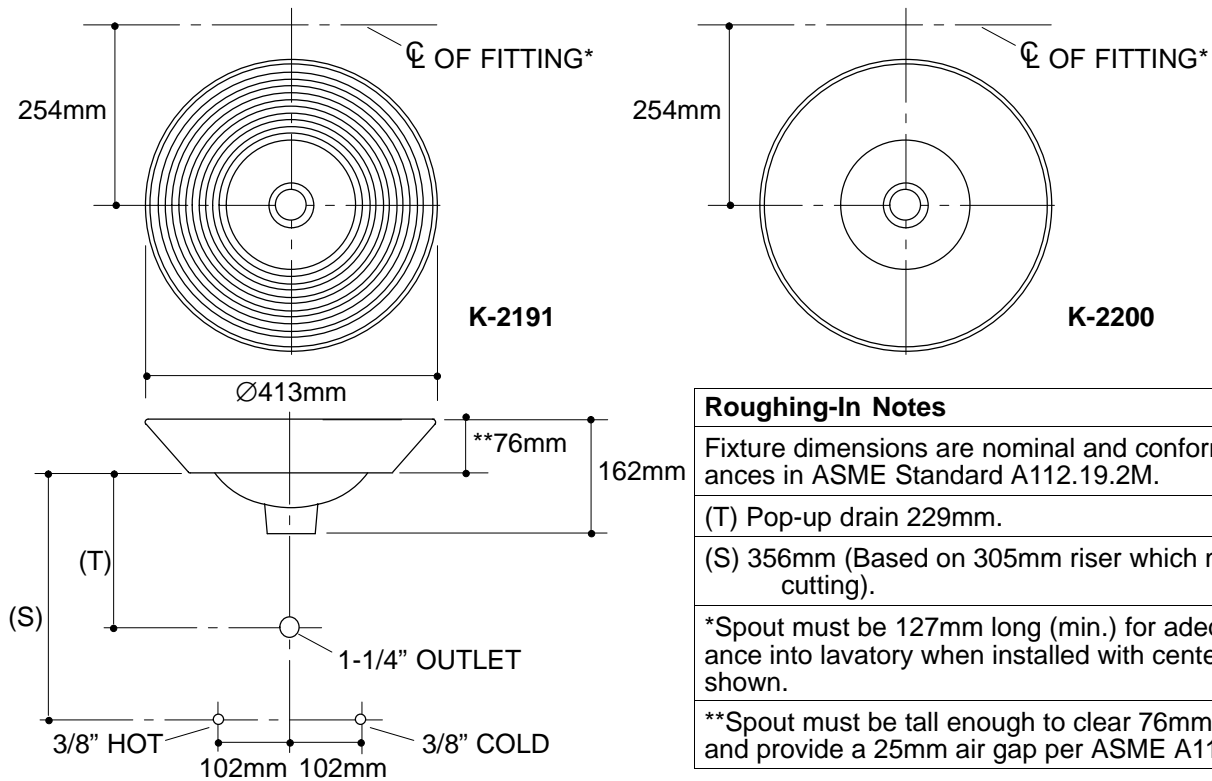
\* Approximate measurements for comparison only.

Included Components:	
Adhesive sealant	81489
Adjustable linkage	84474
Cutout template	114430-7

### Installation Notes

Refer to installation instructions included with fixture before beginning installation.

Product does not have an overflow.



### Roughing-In Notes

Fixture dimensions are nominal and conform to tolerances in ASME Standard A112.19.2M.

(T) Pop-up drain 229mm.

(S) 356mm (Based on 305mm riser which may require cutting).

\*Spout must be 127mm long (min.) for adequate clearance into lavatory when installed with centerline as shown.

\*\*Spout must be tall enough to clear 76mm rim height and provide a 25mm air gap per ASME A112.1.2

332