

Ordering Information

Applicable product:		
8" centers lavatory	K-2023	shown
Single-hole lavatory	K-2025	not shown
4" centers lavatory	K-2027	not shown
Accessories/hardware:		
Brackets	K-1808	optional
Drain	K-13885	optional
Trap	K-8998	optional

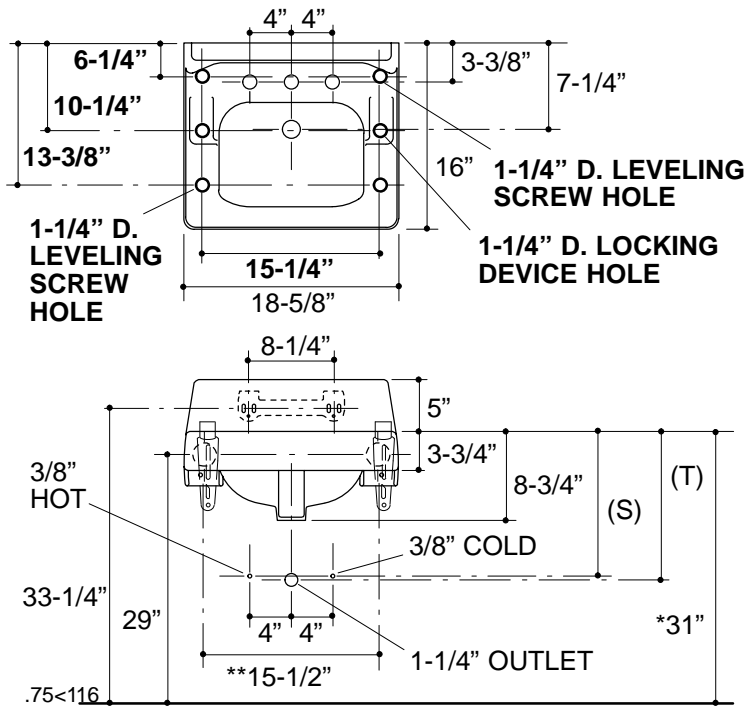
Product Information

Fixture*:		basin area	water depth
Lavatory		13" x 8"	5-1/4"
Outlet	1-3/4" D.		
* Approximate measurements for comparison only.			

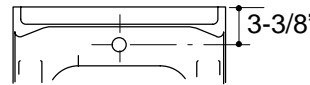
Holes	K-2023	K-2025	K-2027
Spout	1-3/16" D.	1-3/8" D.	1-3/16" D.
Faucet	1-3/8" D.		1-3/16" D.

Included Components:	
Hanger (1)	64839
Supplied hanger not used with concealed arm carrier.	

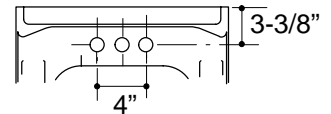
CONCEALED ARM HOLE LOCATIONS K-2023



K-2025



K-2027



Roughing-In Notes

Fixture dimensions are nominal and conform to tolerances in ASME Standard A112.19.2M.

(T) Pop-up drain 14-3/8", drain 13-1/2".

**Dimension from centerline to centerline of brackets.

Supply (Based on 12" riser which may require cutting).	K-2025, K-2027	K-2023
(S)	10"	14"

*Lavatory complies with ADA requirement when rim is no higher than 34" from finished floor.