

**Ordering Information**

Accessories/hardware:		
P-trap	K-9018	recommended
Pop-up drain with undercounter-mount actuator	K-7702	recommended
Drain	K-7710	recommended
Grid drain	K-7715	recommended
Vessels wall-mount bracket	K-9655	optional

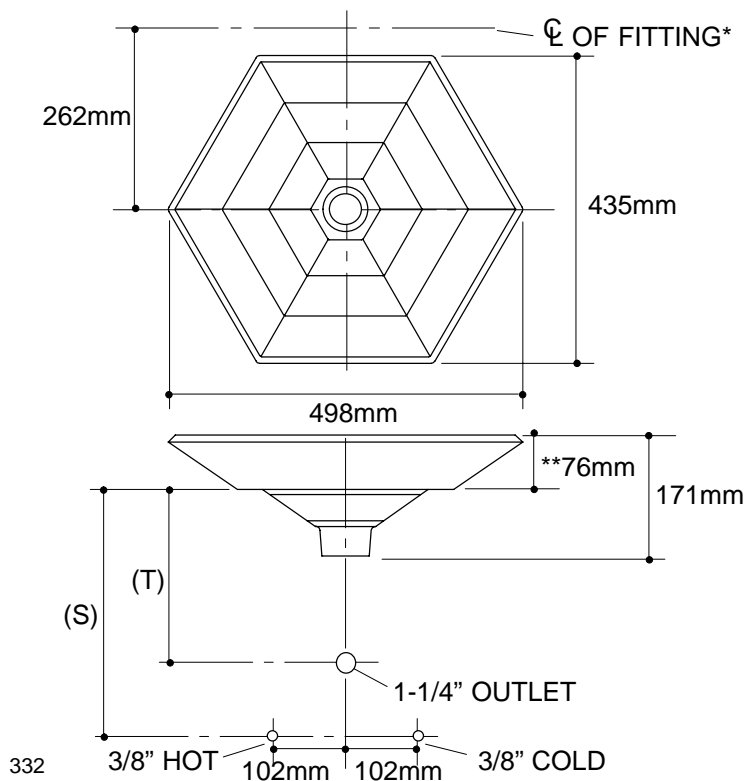
**Product Information**

Fixture*:		basin area	water depth
Lavatory		483 x 406mm	108mm
Outlet	Ø44mm		
* Approximate measurements for comparison only.			
Included Components:			
Adhesive sealant			81489
Adjustable linkage			84474
Cutout template			114430-7

**Installation Notes**

Refer to installation instructions included with fixture before beginning installation.

Product does not have an overflow.



<b>Roughing-In Notes</b>
Fixture dimensions are nominal and conform to tolerances in ASME Standard A112.19.2M.
(T) Pop-up drain 238mm.
(S) 356mm (Based on 305mm riser which may require cutting).
*Spout must be 127mm long (min.) for adequate clearance into lavatory when installed with centerline as shown.
**Spout must be tall enough to clear 76mm rim height and provide a 25mm air gap per ASME A112.1.2