

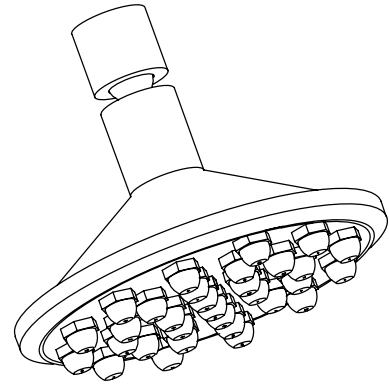
**FEATURES**

- Brass construction
- Faceplate with multiple balljoint sprayheads
- Available with matching or contrast finish faceplate
- 2.5 gallons per minute

**CODES/STANDARDS APPLICABLE**

Specified model meets or exceeds the following:

- ASME/ANSI A112.18.1M

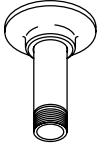
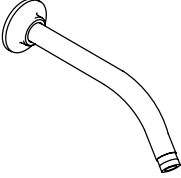


**COLORS/FINISHES**

- CP Polished Chrome
- PB Polished Brass

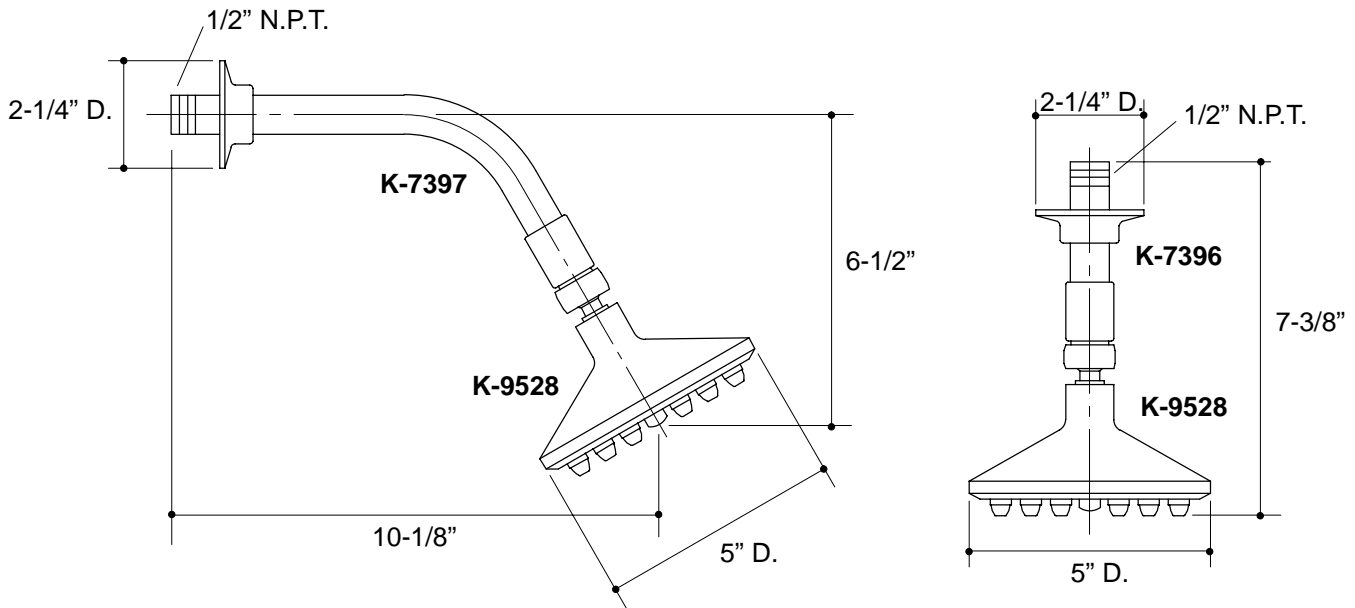
**SPECIFIED MODEL:**

Model	Description	<input type="checkbox"/> CP	<input type="checkbox"/> PB
K-9528	With Matching Finish Faceplate	<input type="checkbox"/> CP	<input type="checkbox"/> PB
K-9528-1	With Contrasting Faceplate	<input type="checkbox"/> CP	<input type="checkbox"/> PB

Optional Accessories			
K-7396	3" Straight Ceiling-Mount Shower Arm and Flange	<input type="checkbox"/> CP <input type="checkbox"/> PB	
K-7397	10" Shower Arm and Flange		<input type="checkbox"/> CP <input type="checkbox"/> PB <input type="checkbox"/> Other_____

**PRODUCT SPECIFICATION:**

Showerhead shall be of brass construction. Product shall feature multiple balljoint sprayheads, and N.P.T. connection. Optional feature shall be matching or contrasting finish faceplate. Showerhead shall be Kohler Model K-9528-\_\_\_\_\_-\_\_\_\_\_.



PRODUCT DIAGRAM