

Ordering Information

Accessories/hardware:		
Drain	K-7161-AF	recommended
Vinyl tiling-in bead*	K-1179	optional
*Use K-1179 vinyl bead when wall material contacts any top surface of bath		

Product Information

Fixture*:	basin area	top area	weight
Bathing well	48" x 30"	62" x 36"	115 lbs.
	water depth	capacity	
To overflow	15"	96 gals.	
* Approximate measurements for comparison only.			

Installation Notes

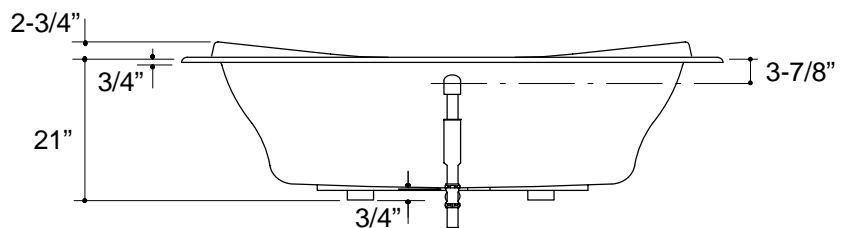
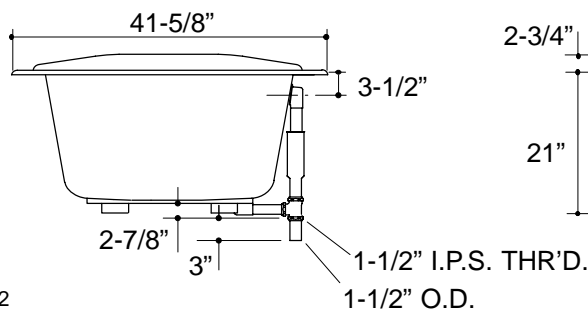
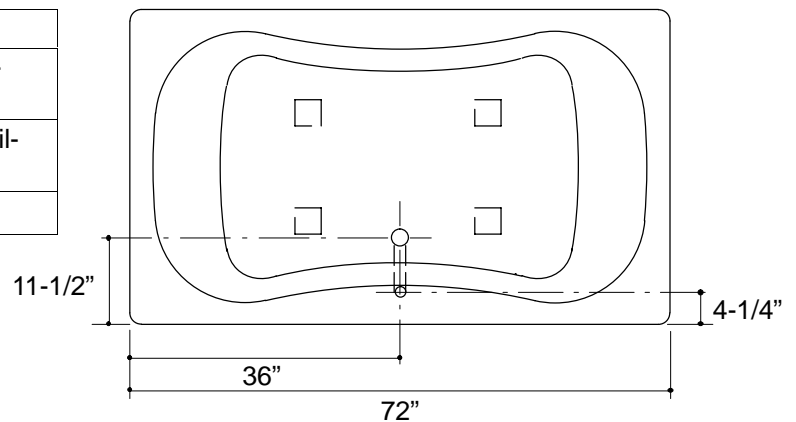
Refer to installation instructions included with fixture before beginning installation.

Roughing-In Notes

Fixture dimensions are nominal and conform to tolerances in ANSI Standard Z124.1.

No change in measurements if connected with drain illustrated.

Cut-out	70-1/2" x 40"
---------	---------------



1.25>132