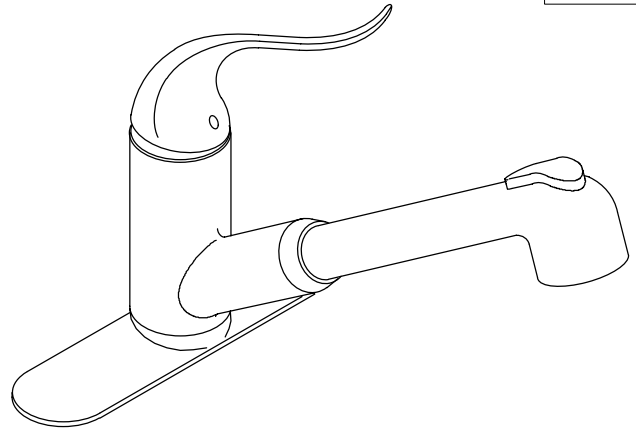


**KITCHEN SINK FAUCET
K-15170**

ADA

FEATURES

- Metal construction
- One-piece self-contained ceramic disc valve allows both volume and temperature control
- Temperature memory allowing faucet to be turned on and off at any temperature setting
- High-temperature limit stop
- 9-1/2" Swing spout with integral spray and retractable hose
- 2.2 gallons per minute
- Lever handle
- Sprayhead available in a variety of colors
- Touch control stream-to-spray adjustment
- Integral vacuum breaker
- 10" Escutcheon plate for three-hole installations



CODES/STANDARDS APPLICABLE

Specified model meets or exceeds the following:

- ASME/ANSI A112.18.1M
- CSA B125
- Energy Policy Act of 1992
- IAPMO/UPC
- NSF 61
- Listed in the States of Michigan and Wisconsin

COLORS/FINISHES

- CP Polished Chrome
- Other Refer to Faucets Price Book for additional finishes

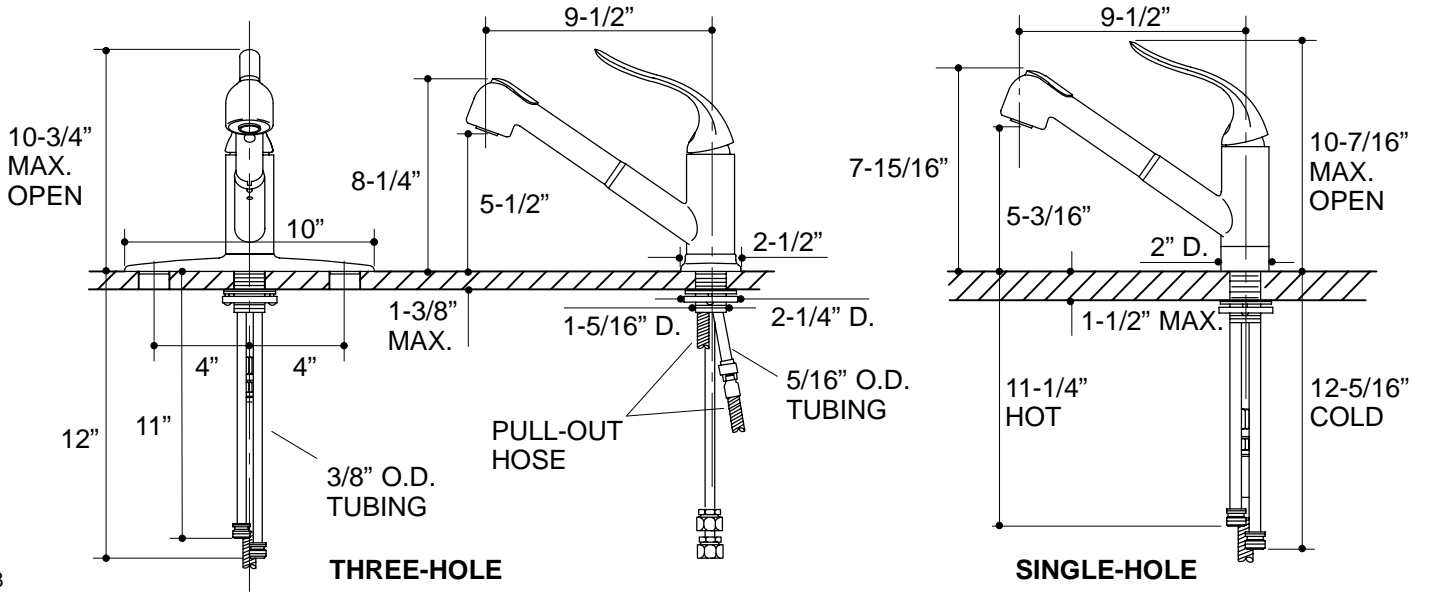
SPECIFIED MODEL:

Model	Description		
K-15170	With Matching Color Sprayhead	<input type="checkbox"/> CP	<input type="checkbox"/> Other_____
K-15170-AP	With Polished Chrome Body and White Sprayhead	<input type="checkbox"/> CP	
K-15170-MP	With Polished Chrome Body and Almond Sprayhead	<input type="checkbox"/> CP	

PRODUCT SPECIFICATION:

Single-control pull-out spray kitchen sink faucet shall be of metal construction. The valve shall be a one-piece, self-contained ceramic disc valve, and allows both volume and temperature control. The valve shall feature temperature memory, allowing the faucet to be turned on and off at any temperature setting, and includes a high-temperature limit stop. Faucet shall also feature stream-to-spray touch control. Product shall include 9-1/2" swing spout with integral sprayhead and hose, lever handle, integral vacuum breaker, and 10" escutcheon plate. Faucet shall be Kohler Model K-15170-_____-_____.

Roughing-In Notes
Meets all local plumbing codes for vacuum breaker requirements.
All necessary parts included for both single-hole and three-hole installations.



18

PRODUCT DIAGRAM