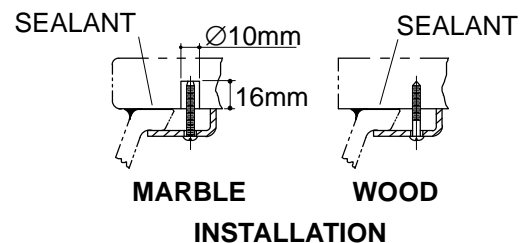
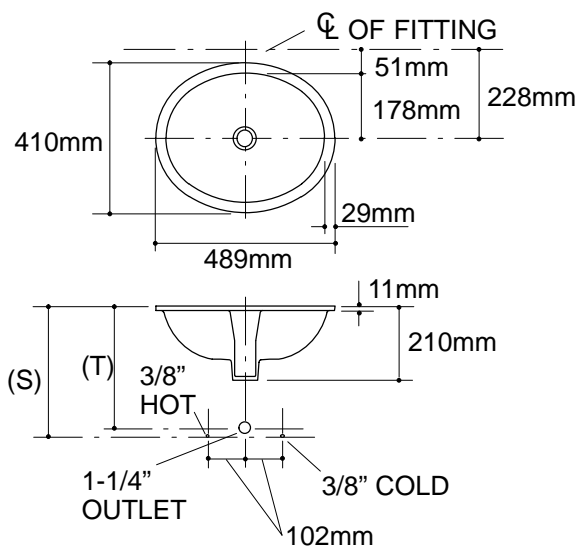


Product Information

Fixture*:		basin area	water depth
Lavatory:		432 x 356mm	162mm
Outlet	Ø44mm		

* Approximate measurements for comparison only.

Included Components:	
Basin clamp assembly	52047
Adhesive sealant	63034
Cutout template	101085-7



Roughing-In Notes

Fixture dimensions are nominal and conform to tolerances in ASME Standard A112.19.2M.

(T) Pop-up drain 352mm, grid drain 330mm.

(S) 356mm (Based on 305mm riser which may require cutting).

Supplied basin clamp assemblies require 25mm minimum countertop thickness. Installer must supply anchors for thinner countertops.

.75<116

K-2205 Lavatory
114461-1M-AA (A)

KOHLER®