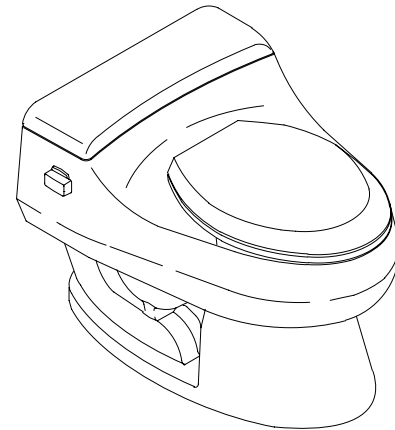


FEATURES

- 12" rough-in
- Vitreous china
- One-piece-quiet flush
- Elongated bowl
- Gravity Lite™ system
- Dual overflow system
- EPDM flapper
- Brass supply shank
- Includes French Curve™ seat
- Less supply
- 1.6 gpf
- Includes polished chrome metal trip lever



CODES/STANDARDS APPLICABLE

Specified model meets or exceeds the following:

- ASME/ANSI A112.19.2M
- ASME/ANSI A112.19.6M
- IAPMO/UPC
- Energy Policy Act of 1992 (EPACT)
- Canadian Standards Association (CSA)
- States of Massachusetts, New York, & Texas
- City of Los Angeles, CA

COLORS/FINISHES

- 0 White
- Other Refer to Fixtures Price Book for additional colors

Accessories:

- CP Polished Chrome
- PB Polished Brass
- Other Refer to Price Book for additional colors

SPECIFIED MODEL:

Model	Description	Colors/Finishes		
K-3384	Elongated bowl toilet	<input type="checkbox"/> 0 White	<input type="checkbox"/> Other_____	
Recommended Accessories				
K-7637	Angle supply with stop	<input type="checkbox"/> CP	<input type="checkbox"/> PB	<input type="checkbox"/> Other_____
Optional Accessories				
K-9430	Trip lever (non-CP)	<input type="checkbox"/> PB	<input type="checkbox"/> Other_____	

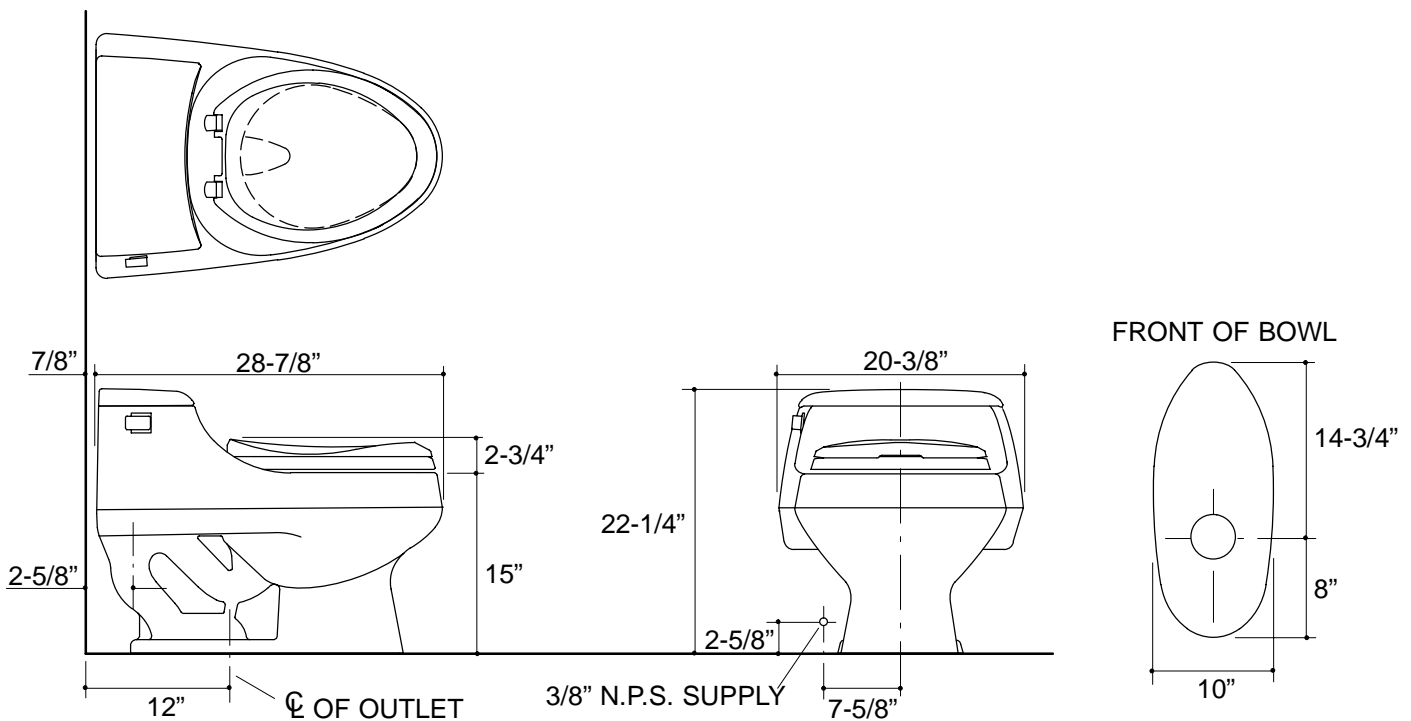
PRODUCT SPECIFICATION:

The elongated one-piece toilet shall be quiet flush with 12" rough-in. Toilet shall be made of vitreous china. Toilet shall have Kohler Gravity Lite™ system. Toilet shall have dual overflow system. Toilet shall have EPDM flapper. Toilet shall have brass supply shank. Toilet shall include French Curve™ seat. Toilet shall be less supply. Toilet shall be 1.6 gpf. Toilet shall include polished chrome metal trip lever. Toilet shall be Kohler Model K-3384-_____.

SAN RAPHAEL™

PRODUCT INFORMATION

Fixture:	
Configuration	1-piece, elongated
Gallons per flush	1.6 gallons
Passageway	2"
Water depth from rim	6"
Seat post hole centers	5-1/2"
Included Components:	
Seat	K-4653
Tank cover	84250
Trip lever	K-9430
Bolt cap accessory pack	52048
Tank accessory pack	84301



116

PRODUCT DIAGRAM