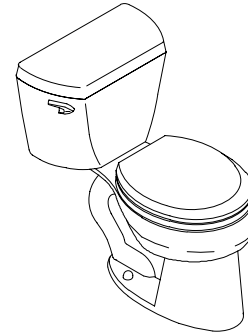


### FEATURES

- 14" rough-in
- Vitreous china
- Round front bowl
- 1.6 gpf
- 2" glazed trapway
- Combination toilet
- Includes polished chrome trip lever
- Less seat and supply
- With right-hand trip lever (-RA)
- With Insuliner® insulated tank lining (-U)
- With tank cover locks (-T)



### CODES/STANDARDS APPLICABLE

Specified model meets or exceeds the following:

- ASME/ANSI A112.19.2M
- ASME/ANSI A112.19.6M
- Energy Policy Act of 1992 (EPACT)
- IAPMO/UPC
- Canadian Standards Association (CSA)
- States of Massachusetts, New York, & Texas
- Cities of Los Angeles, CA

### COLORS/FINISHES

- 0 White
- Other Refer to Fixtures Price Book for additional colors

#### Accessories:

- 0 White
- CP Polished Chrome
- PB Polished Brass
- Other Refer to Fixtures Price Book for additional colors

### SPECIFIED MODEL:

Model	Description	Colors/Finishes	
K-3433	Round front bowl toilet (left-hand trip lever)	<input type="checkbox"/> 0 White	<input type="checkbox"/> Other_____
K-3433-T	Toilet with tank cover locks (left-hand trip lever)	<input type="checkbox"/> 0 White	<input type="checkbox"/> Other_____
K-3433-U	Toilet with Insuliner tank (left-hand trip lever)	<input type="checkbox"/> 0 White	<input type="checkbox"/> Other_____
K-3433-UT	Toilet with Insuliner tank & tank cover locks (LH trip lever)	<input type="checkbox"/> 0 White	<input type="checkbox"/> Other_____
K-3433-RA	Round front bowl toilet (right-hand trip lever)	<input type="checkbox"/> 0 White	<input type="checkbox"/> Other_____
K-3433-TR	Toilet with tank cover locks (right-hand trip lever)	<input type="checkbox"/> 0 White	<input type="checkbox"/> Other_____
K-3433-UR	Toilet with Insuliner tank (right-hand trip lever)	<input type="checkbox"/> 0 White	<input type="checkbox"/> Other_____
K-3433-RZ	Toilet with Insuliner tank & tank cover locks (RH trip lever)	<input type="checkbox"/> 0 White	<input type="checkbox"/> Other_____

#### Recommended Accessories

K-4662	Lustra™ seat with cover	<input type="checkbox"/> 0 White	<input type="checkbox"/> Other_____
K-4662-A	Lustra™ seat with cover (includes anti-microbial agent)	<input type="checkbox"/> 0 White	
K-4686	Primary™ open front seat	<input type="checkbox"/> 0 White	<input type="checkbox"/> Other_____
K-7637	Angle supply with stop	<input type="checkbox"/> CP	<input type="checkbox"/> PB <input type="checkbox"/> Other_____

#### Optional Accessories

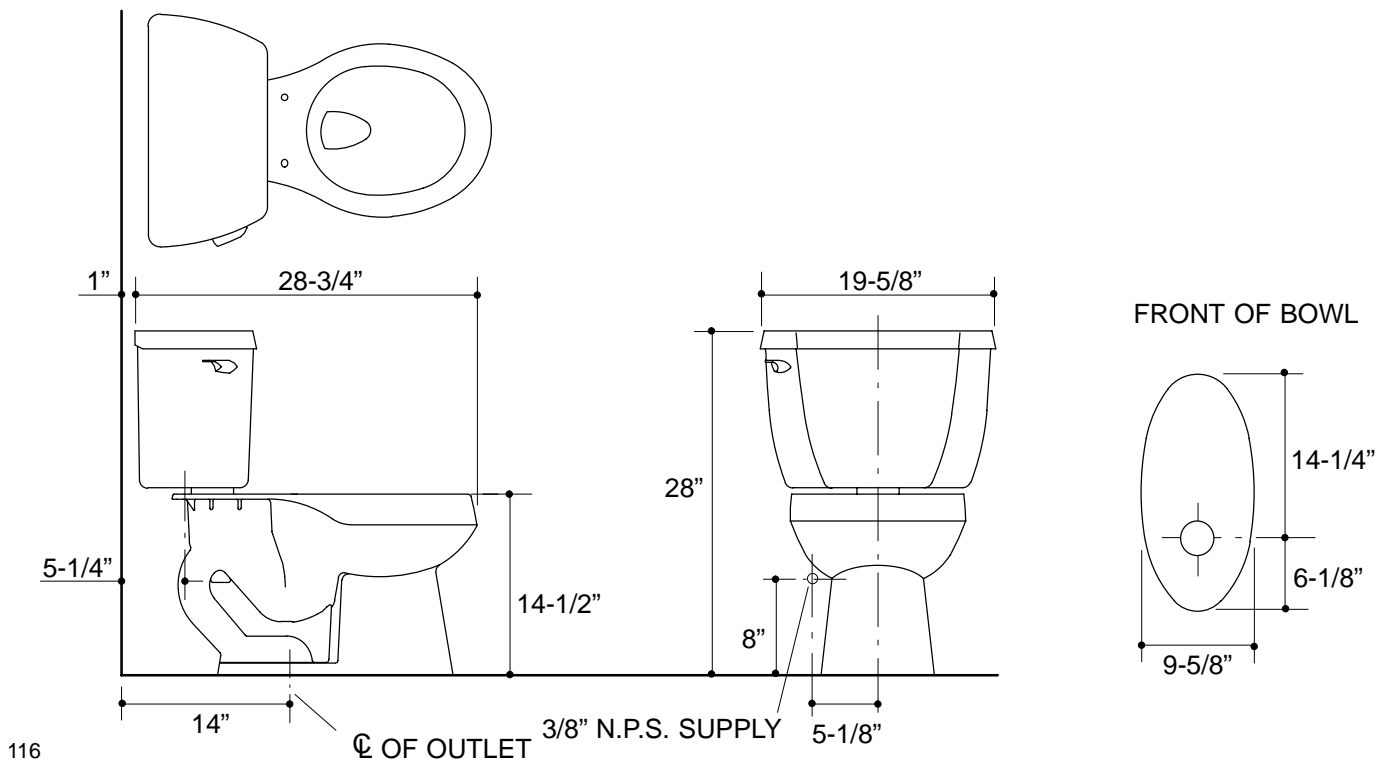
K-9404-L	Trip lever, left-hand (non-CP)	<input type="checkbox"/> PB	<input type="checkbox"/> Other_____
K-9404-R	Trip lever, right-hand (non-CP)	<input type="checkbox"/> PB	<input type="checkbox"/> Other_____

### PRODUCT SPECIFICATION:

The round front bowl combination toilet shall be 14" rough-in. Toilet shall be made of vitreous china. Toilet shall be 1.6 gpf. Toilet shall have 2" glazed trapway. Toilet shall include polished chrome trip lever. Toilet shall be less seat and supply. Toilet shall have right-hand trip lever (-RA). Toilet shall have Insuliner® insulated tank lining (-U). Toilet shall have tank cover locks (-T). Toilet shall be Kohler Model K-3433-\_\_\_\_\_ -\_\_\_\_\_.

## PRODUCT INFORMATION

Fixture:	
Configuration	2-piece, round front
Gallons per flush	1.6
Passageway	2"
Water depth from rim	6"
Seat post hole centers	5-1/2"
Included Components:	
Bowl	K-4277
Tank	K-4621
Tank cover	84095
Trip lever	K-9404



## PRODUCT DIAGRAM