

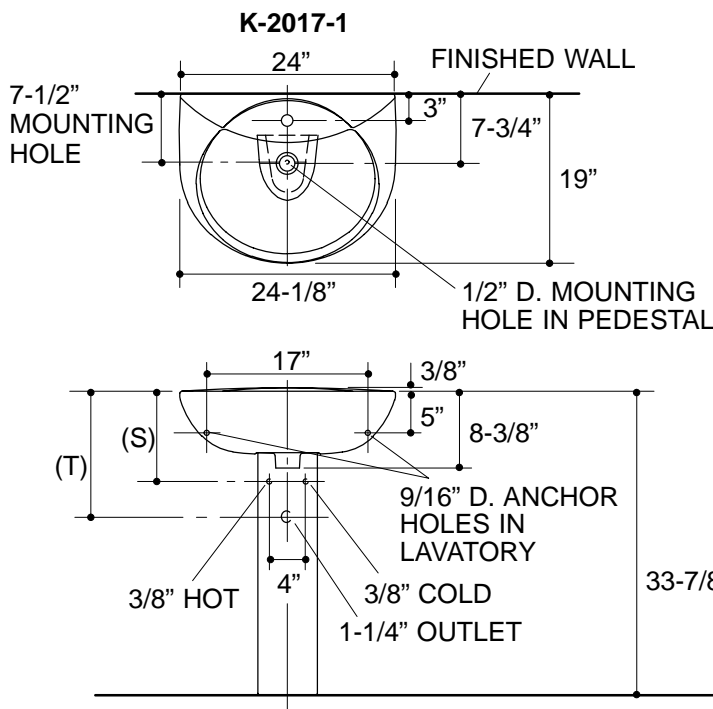
## Ordering Information

Applicable product:		
Single-hole lavatory	K-2017-1	shown
4" centers lavatory	K-2017-4	not shown
8" centers lavatory	K-2017-8	not shown
Accessories/hardware		
Lavatory supplies, 3/8"	K-7605-P	recommended

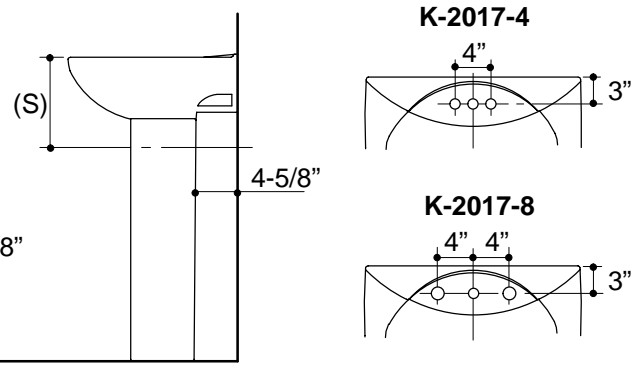
## Product Information

Fixture*:		basin area	water depth
Lavatory		19" x 12"	4-1/2"
Outlet	1-3/4" D.		
* Approximate measurements for comparison only.			
Holes	<b>K-2017-1</b>	<b>K-2017-4</b>	<b>K-2017-8</b>
Spout	1-3/8" D.	1-3/16" D.	1-3/16" D.
Faucet		1-3/16" D.	1-7/16" D.

Included Components:	
Lavatory basin, single-hole	K-2018-1
Lavatory basin, 4" centers	K-2018-4
Lavatory basin, 8" centers	K-2018-8
Pedestal	K-2019
Rubber pads	63069
Lavatory accessory pack	52204



<b>Roughing-In Notes</b>		
Fixture dimensions are nominal and conform to tolerances in ASME Standard A112.19.2M.		
(T) Pop-up drain 14", drain 13-1/8"		
Supply (Based on 12" riser which may require cutting).	K-2017-1, K-2017-4	K-2017-8
(S)	10"	14"



.75<116

**K-2017 Folio Lavatory**  
114517-1-BA (A)